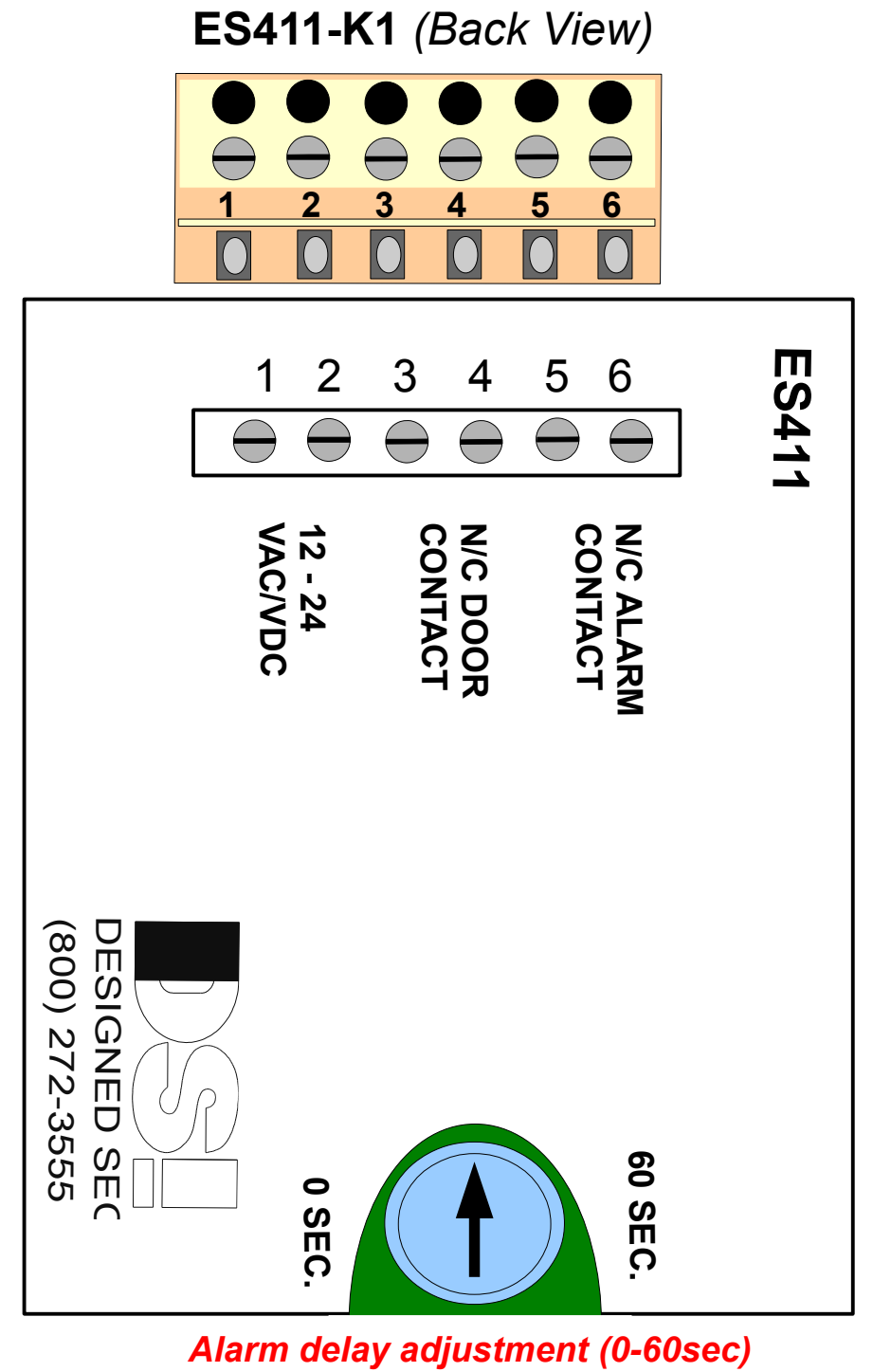
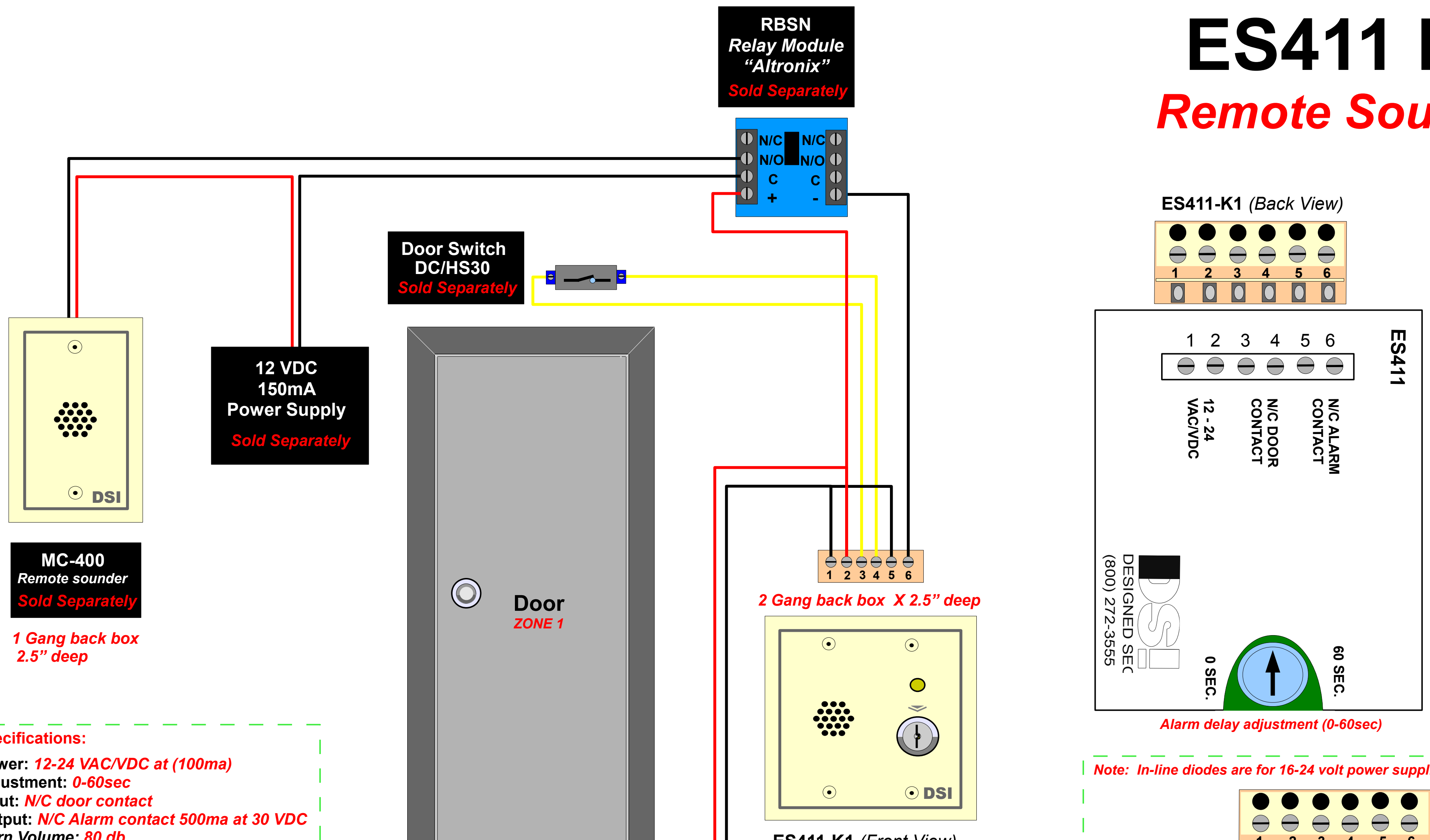


ES411 K1

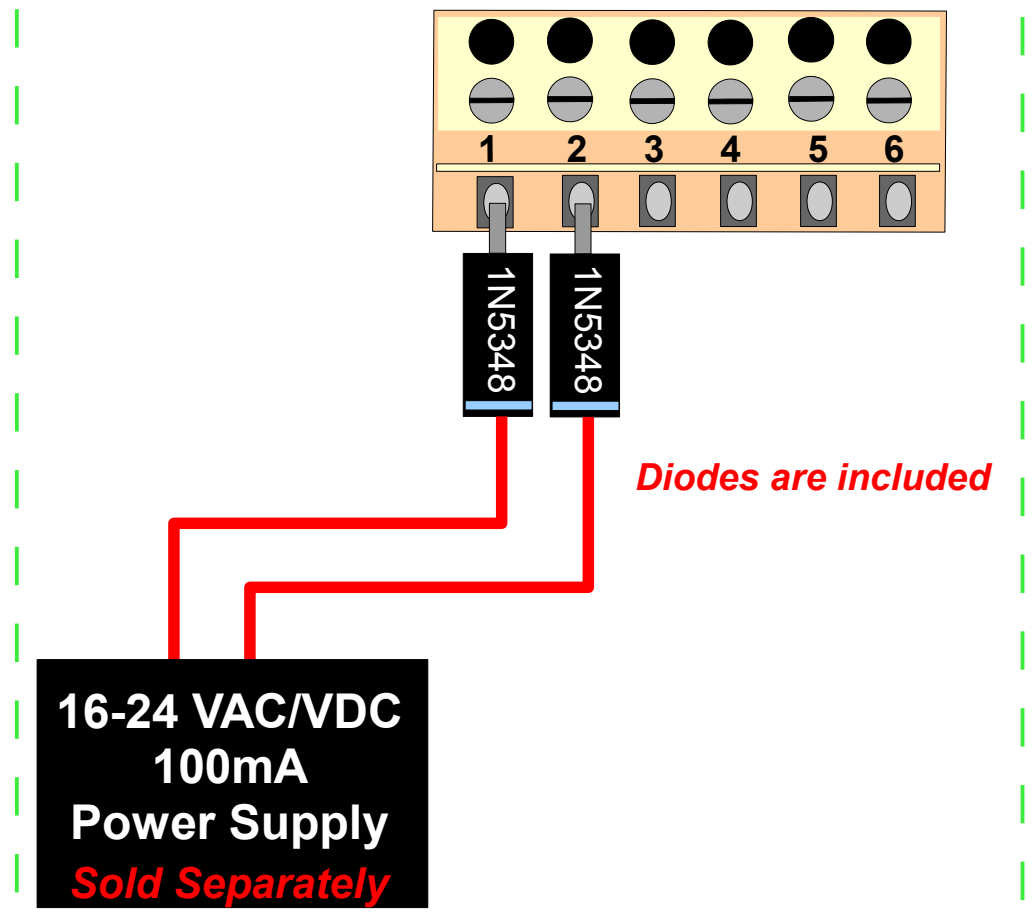
Remote Sounder



2 Gang back box X 2.5" deep

ES411-K1 (Front View)

Note: In-line diodes are for 16-24 volt power supplies



Specifications:
 Power: 12-24 VAC/VDC at (100ma)
 Adjustment: 0-60sec
 Input: N/C door contact
 Output: N/C Alarm contact 500ma at 30 VDC
 Horn Volume: 80 db

Note:
 Suggested Power Supply
 PS/DC12
 PS/AC16



Note:
 Wire Gauge:
 22 AWG = Signal wires
 22 AWG = Power wires
 (Power runs over 50 feet use 18 AWG)