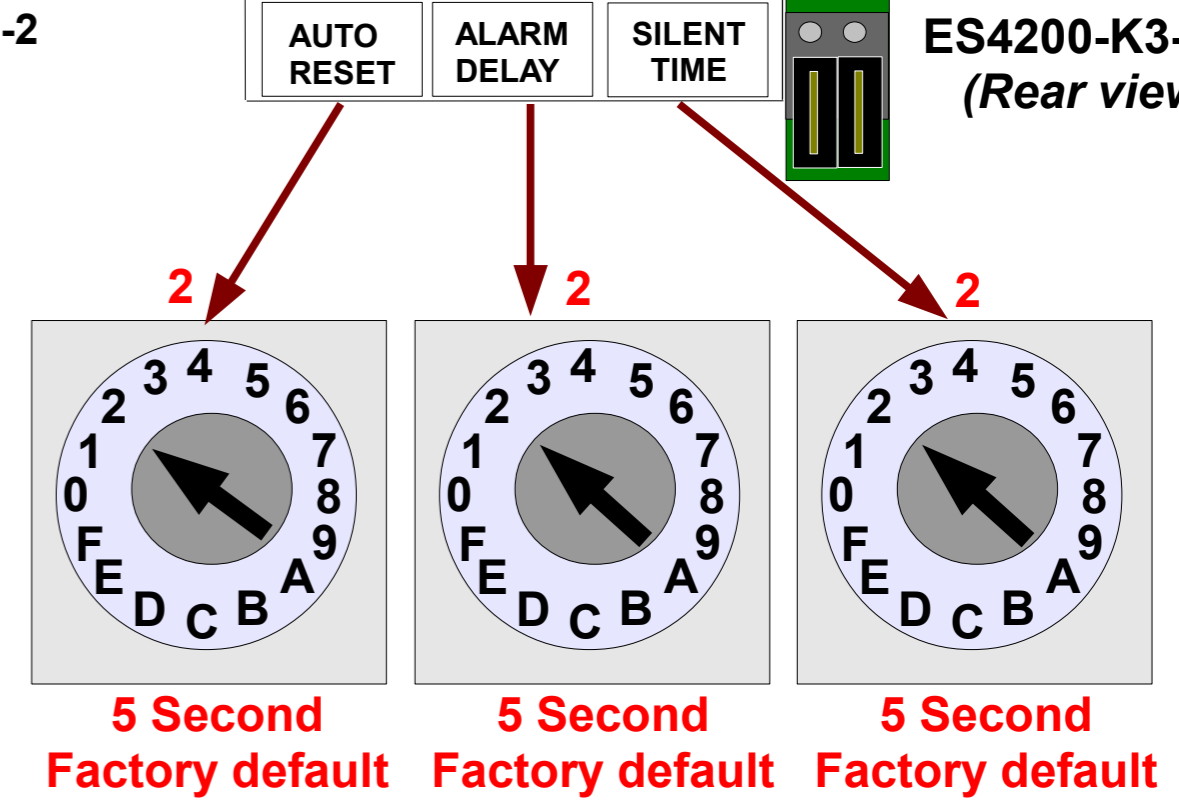
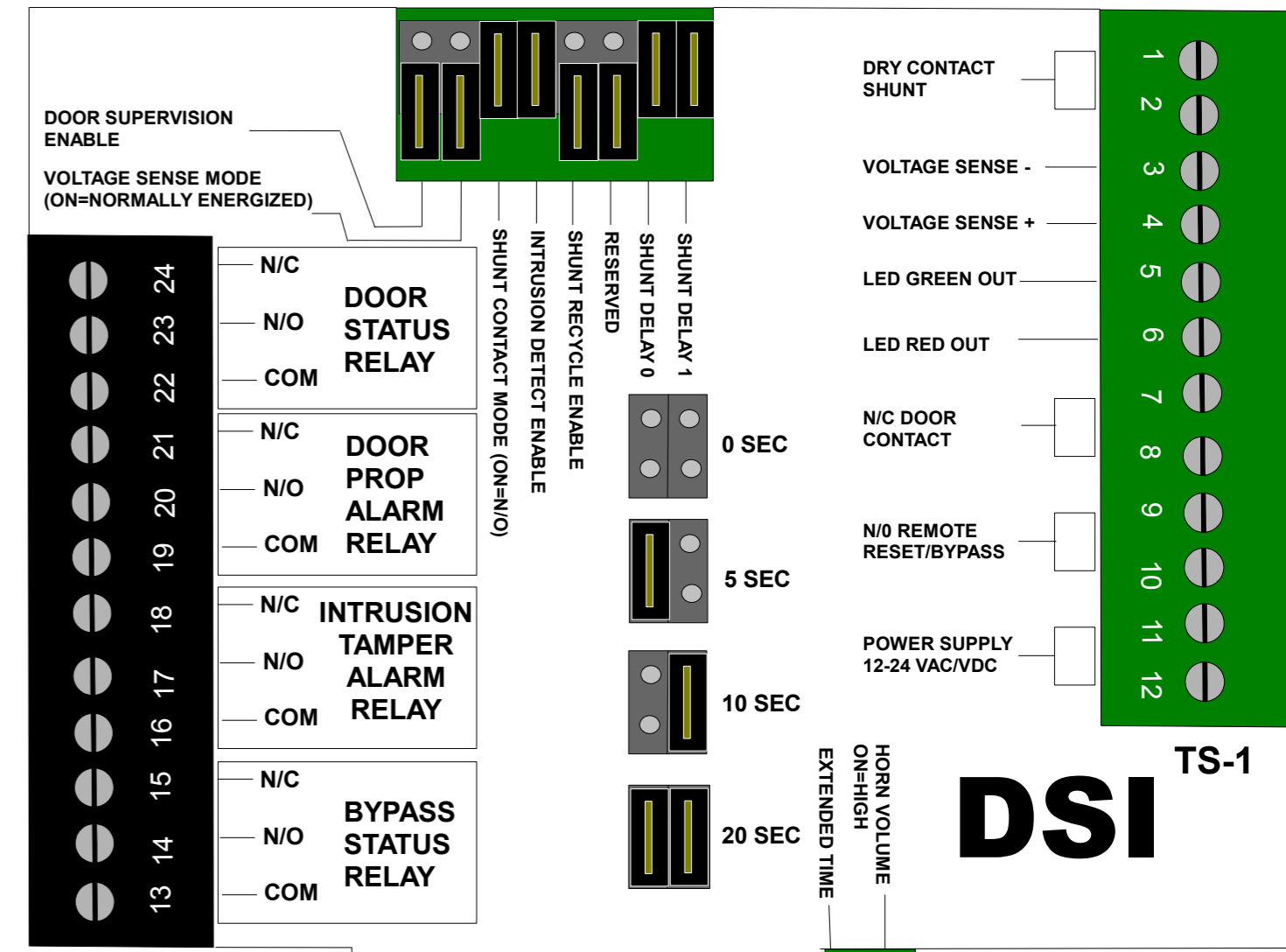
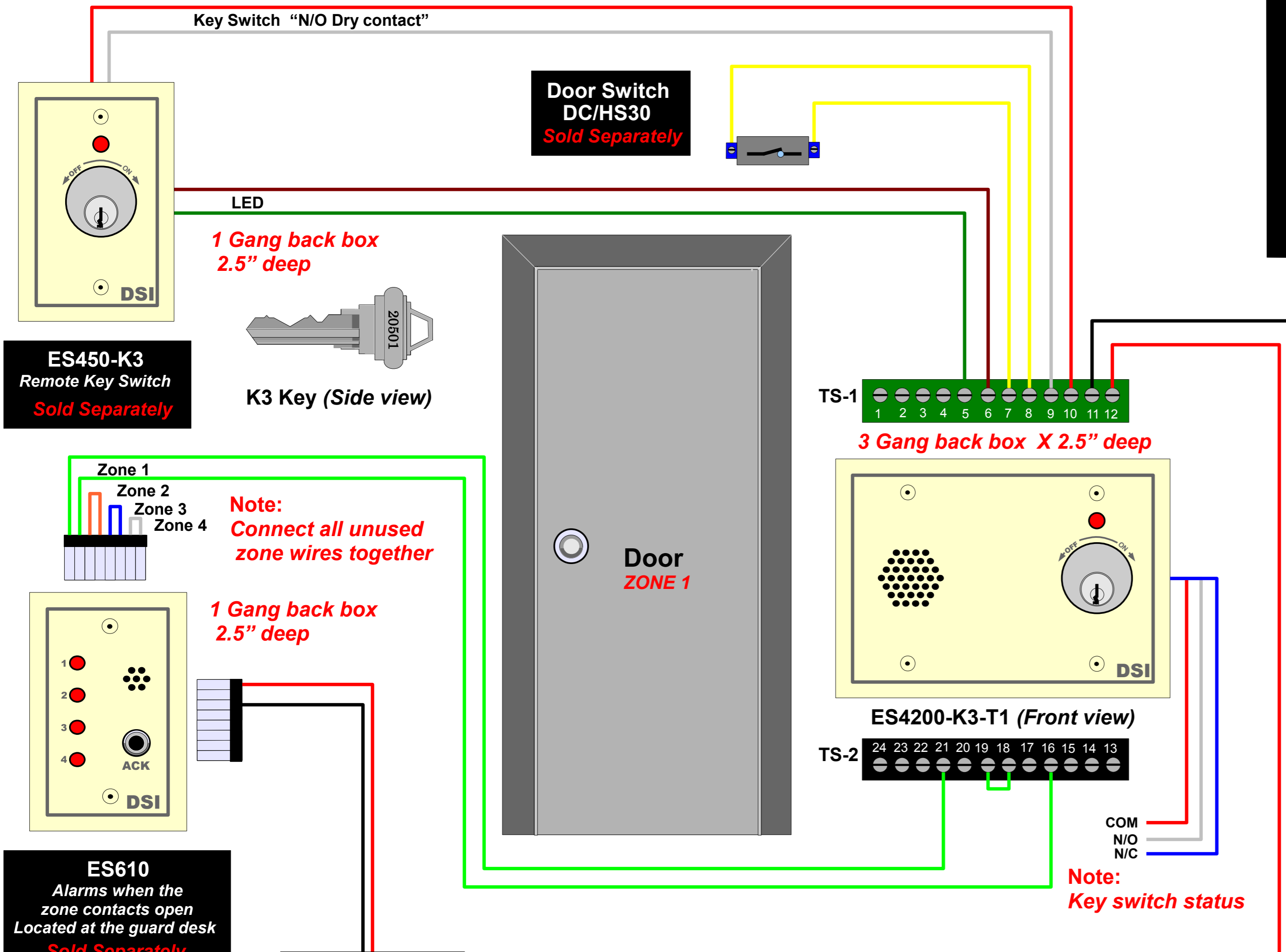


ES4200-K3-T1 Exit Alarm Configuration

Specifications: ES4200
Power: 12-24 VAC/VDC at (250ma)
Output Relays: N/C & N/O contact 1000ma at 30 VDC
Horn Volume: Selectable 96db or 103 db



SET	Auto Reset	Alarm Delay	Silent Time	
			Normal	Extended
0	0 Sec	0 Sec	0 Sec	3 Min
1	3 Sec	3 Sec	3 Sec	3.5 Min
2	5 Sec	5 Sec	5 Sec	4 Min
3	7 Sec	7 Sec	7 Sec	4.5 Min
4	10 Sec	10 Sec	10 Sec	5 Min
5	12 Sec	12 Sec	12 Sec	6 Min
6	15 Sec	15 Sec	15 Sec	7 Min
7	20 Sec	20 Sec	20 Sec	8 Min
8	30 Sec	30 Sec	25 Sec	9 Min
9	45 Sec	45 Sec	30 Sec	10 Min
A	1 Min	1 Min	35 Sec	20 Min
B	2 Min	2 Min	45 Sec	30 Min
C	3 Min	3 Min	1 Min	40 Min
D	4 Min	4 Min	1.5 Min	50 Min
E	5 Min	5 Min	2 Min	60 Min
F	Manual	Infinite	2.5 Min	90 Min

ES610
 Alarms when the zone contacts open
 Located at the guard desk
Sold Separately

12 VDC 150mA Power Supply
Sold Separately

Note:
Wire Gauge:
 22 AWG = Signal wires
 22 AWG = Power wires
 (Power runs over 50 feet use 18 AWG)

Note:
Suggested Power Supply
 PS/DC12
 PS/AC16

12-24 VAC/VDC 250mA Power Supply
Sold Separately

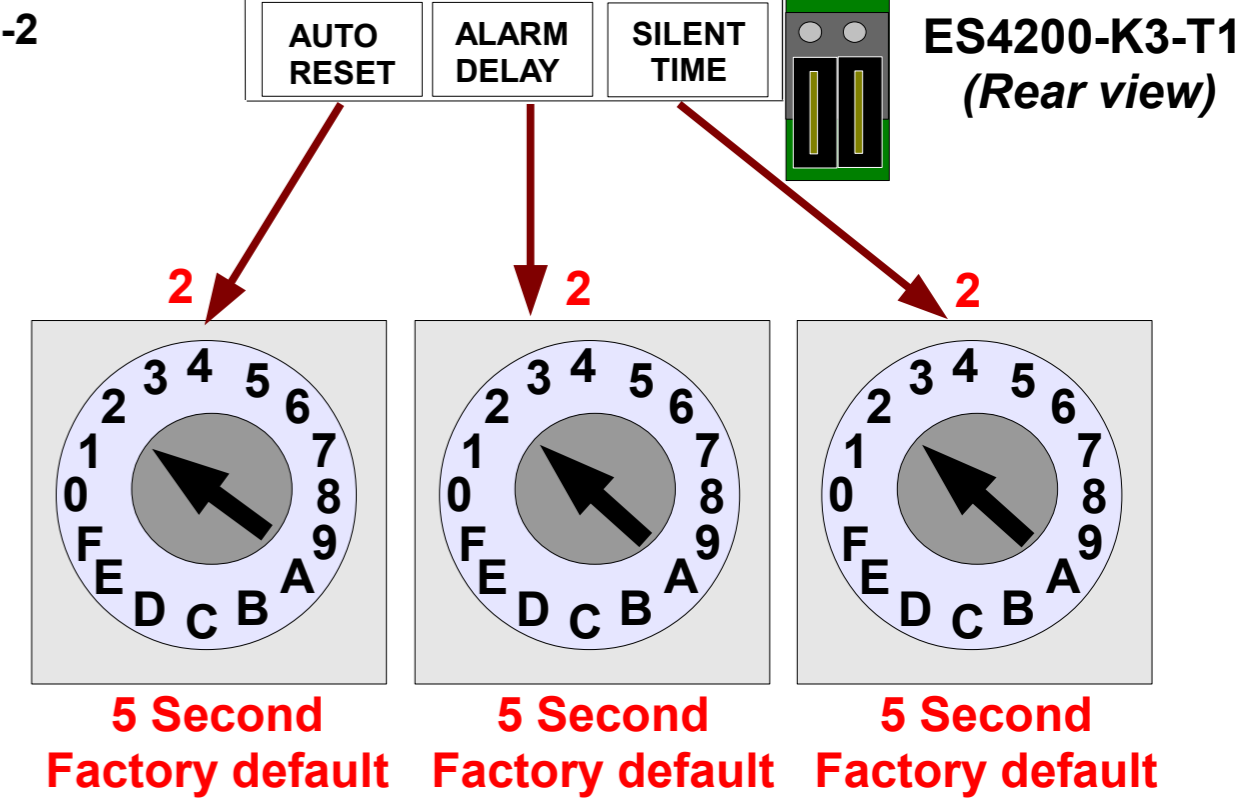
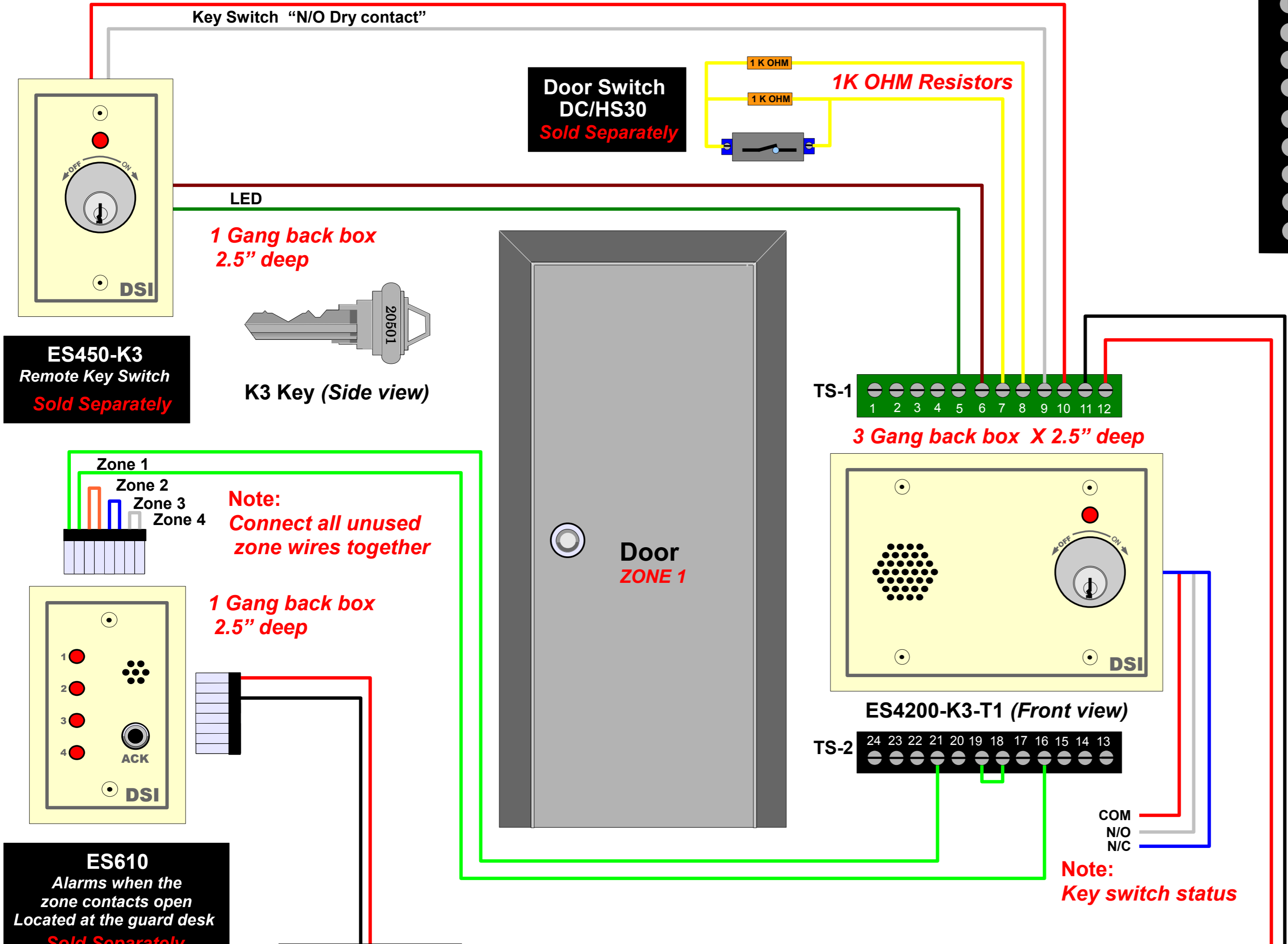
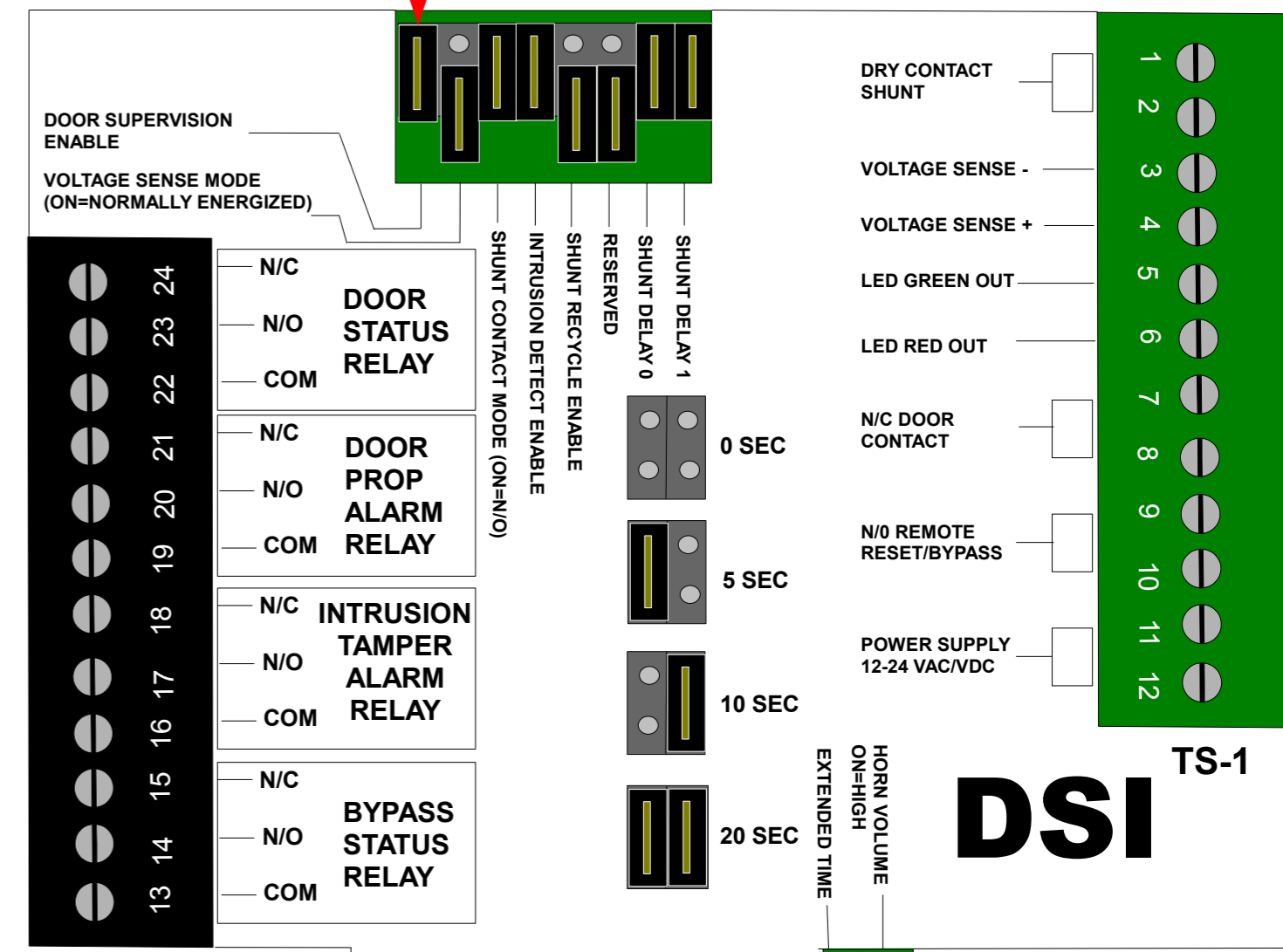
ES4200-K3-T1 Exit Alarm Configuration

Supervised Door

Specifications: ES4200
Power: 12-24 VAC/VDC at (250ma)
Output Relays: N/C & N/O contact 1000ma at 30 VDC
Horn Volume: Selectable 96db or 103 db

Supervision Enable Jumper placement

Use 1K OHM resistors on door switch



SET	Auto Reset	Alarm Delay	Silent Time	
			Normal	Extended
0	0 Sec	0 Sec	0 Sec	3 Min
1	3 Sec	3 Sec	3 Sec	3.5 Min
2	5 Sec	5 Sec	5 Sec	4 Min
3	7 Sec	7 Sec	7 Sec	4.5 Min
4	10 Sec	10 Sec	10 Sec	5 Min
5	12 Sec	12 Sec	12 Sec	6 Min
6	15 Sec	15 Sec	15 Sec	7 Min
7	20 Sec	20 Sec	20 Sec	8 Min
8	30 Sec	30 Sec	25 Sec	9 Min
9	45 Sec	45 Sec	30 Sec	10 Min
A	1 Min	1 Min	35 Sec	20 Min
B	2 Min	2 Min	45 Sec	30 Min
C	3 Min	3 Min	1 Min	40 Min
D	4 Min	4 Min	1.5 Min	50 Min
E	5 Min	5 Min	2 Min	60 Min
F	Manual	Infinite	2.5 Min	90 Min

ES610
Alarms when the zone contacts open
Located at the guard desk
Sold Separately

DSI
DESIGNED SECURITY, INC.
1-800-272-3555

12 VDC 150mA Power Supply
Sold Separately

Note:
Wire Gauge:
22 AWG = Signal wires
22 AWG = Power wires
(Power runs over 50 feet use 18 AWG)

Note:
Suggested Power Supply
PS/DC12
PS/AC16

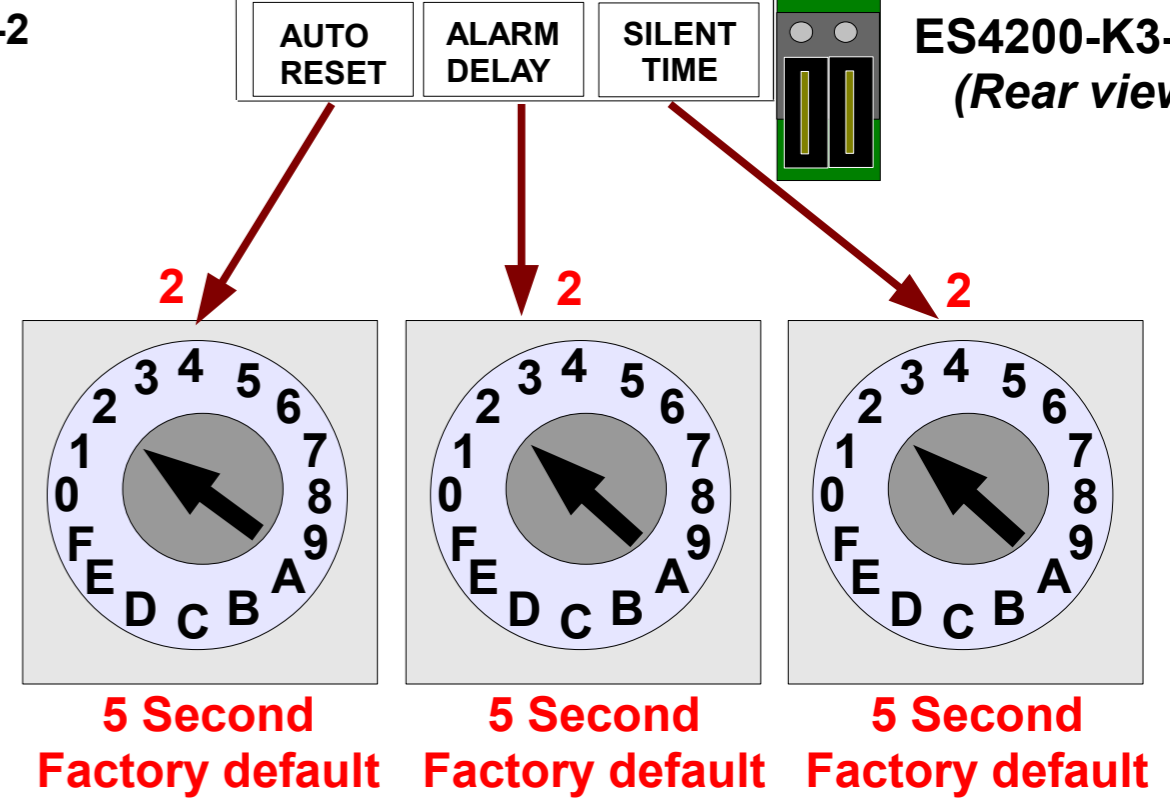
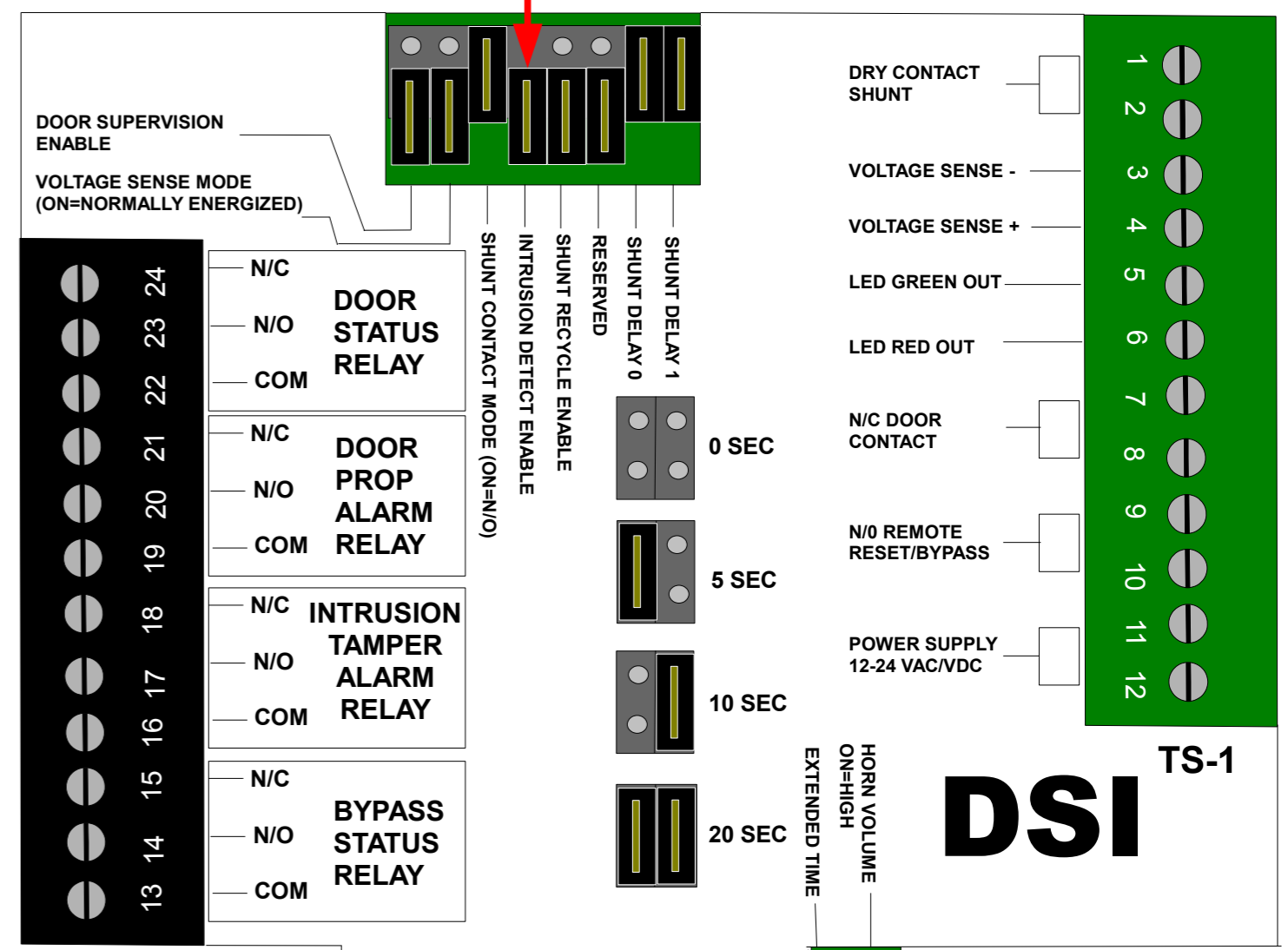
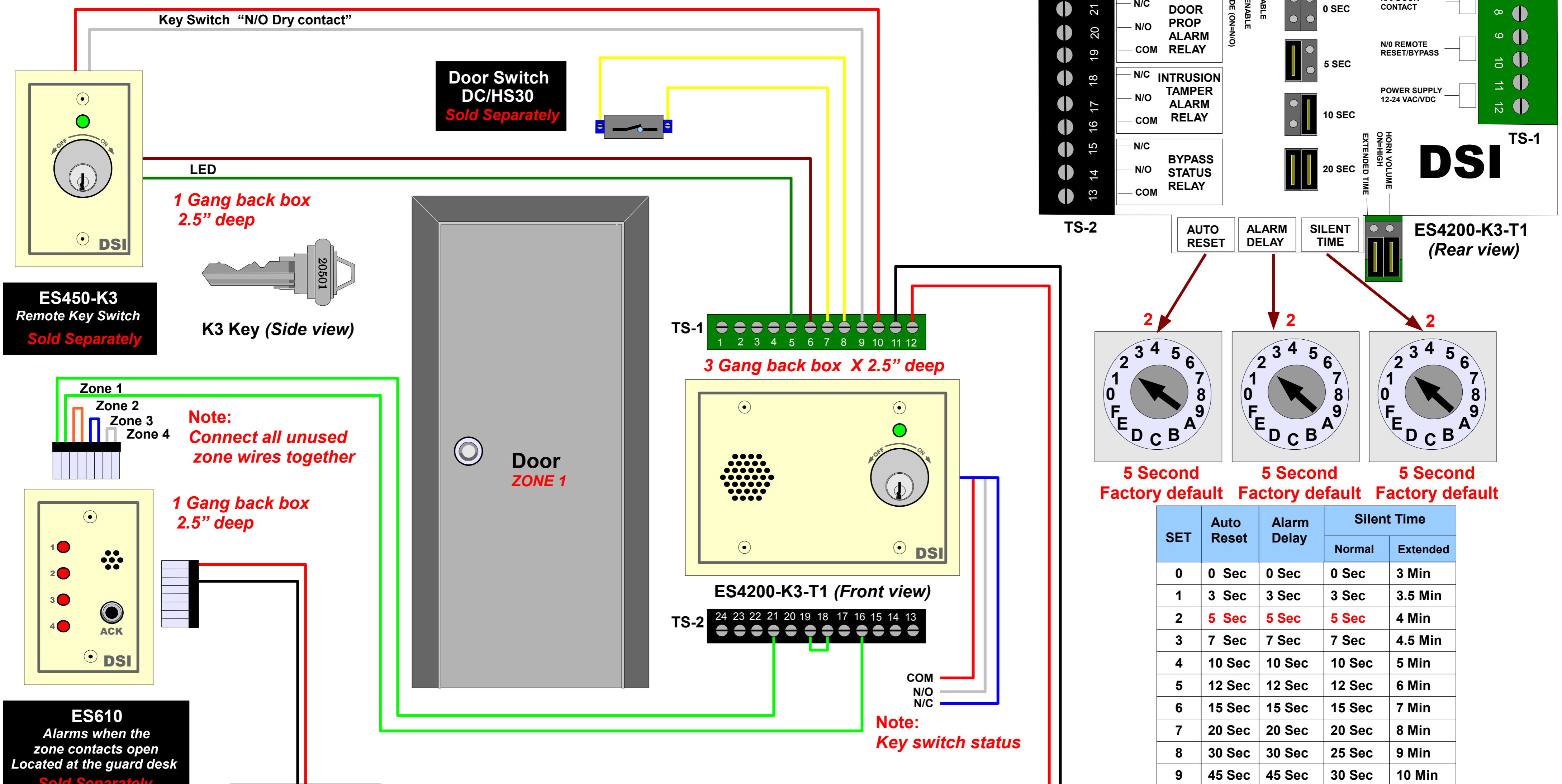
12-24 VAC/VDC 250mA Power Supply
Sold Separately

Note:
Key switch status

ES4200-K3-T1 Door Prop Configuration

Specifications: ES4200
Power: 12-24 VAC/VDC at (250ma)
Output Relays: N/C & N/O contact 1000ma at 30 VDC
Horn Volume: Selectable 96db or 103 db

**Intrusion Detect Enable
 Jumper placement**



SET	Auto Reset	Alarm Delay	Silent Time	
			Normal	Extended
0	0 Sec	0 Sec	0 Sec	3 Min
1	3 Sec	3 Sec	3 Sec	3.5 Min
2	5 Sec	5 Sec	5 Sec	4 Min
3	7 Sec	7 Sec	7 Sec	4.5 Min
4	10 Sec	10 Sec	10 Sec	5 Min
5	12 Sec	12 Sec	12 Sec	6 Min
6	15 Sec	15 Sec	15 Sec	7 Min
7	20 Sec	20 Sec	20 Sec	8 Min
8	30 Sec	30 Sec	25 Sec	9 Min
9	45 Sec	45 Sec	30 Sec	10 Min
A	1 Min	1 Min	35 Sec	20 Min
B	2 Min	2 Min	45 Sec	30 Min
C	3 Min	3 Min	1 Min	40 Min
D	4 Min	4 Min	1.5 Min	50 Min
E	5 Min	5 Min	2 Min	60 Min
F	Manual	Infinite	2.5 Min	90 Min

Note: Wire Gauge:
 22 AWG = Signal wires
 22 AWG = Power wires
 (Power runs over 50 feet use 18 AWG)

Note: Suggested Power Supply
 PS/DC12
 PS/AC16

**12-24 VAC/VDC
 250mA
 Power Supply
 Sold Separately**

ES4200-K3-T1 Magnetic Lock Configuration

Push Button REX

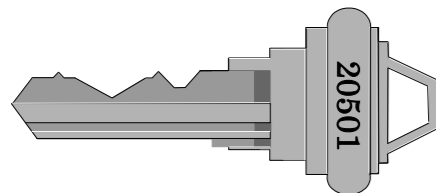
Specifications: ES4200

Power: 12-24 VAC/VDC at (250ma)

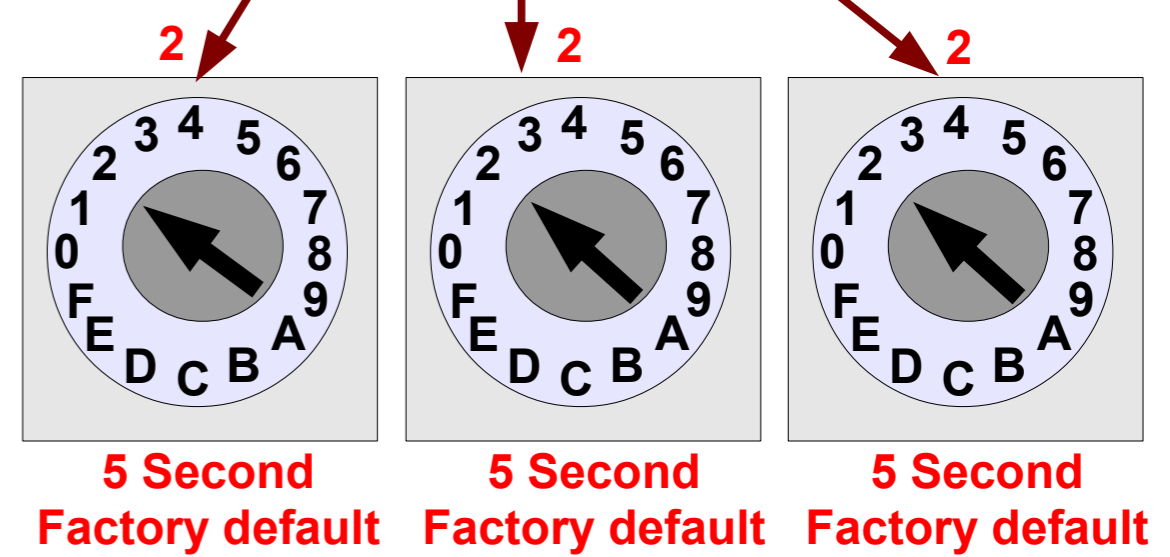
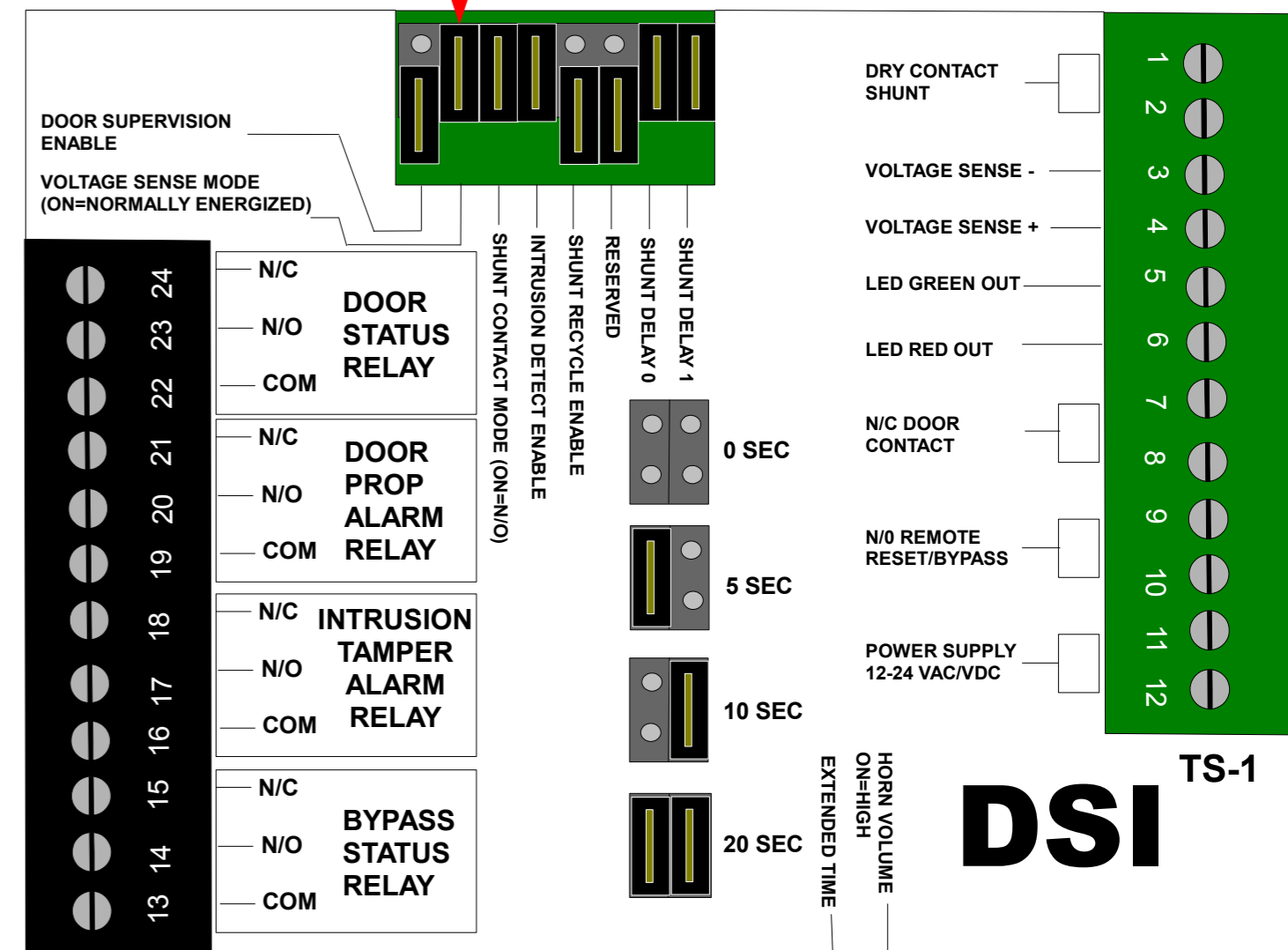
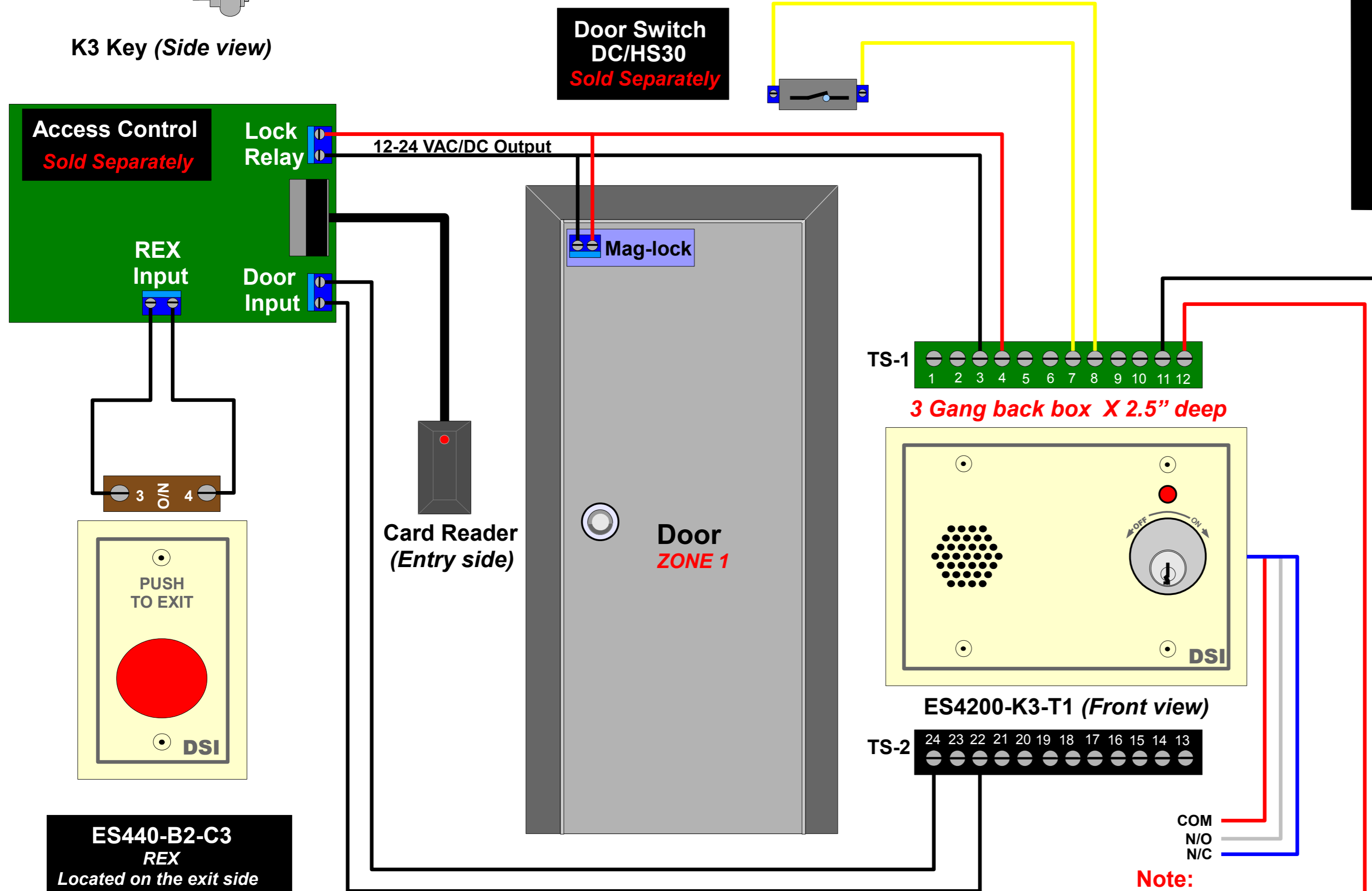
Output Relays: N/C & N/O contact 1000ma at 30 VDC

Horn Volume: Selectable 96db or 103 db

Voltage Sense Mode
Jumper placement



K3 Key (Side view)



SET	Auto Reset	Alarm Delay	Silent Time	
			Normal	Extended
0	0 Sec	0 Sec	0 Sec	3 Min
1	3 Sec	3 Sec	3 Sec	3.5 Min
2	5 Sec	5 Sec	5 Sec	4 Min
3	7 Sec	7 Sec	7 Sec	4.5 Min
4	10 Sec	10 Sec	10 Sec	5 Min
5	12 Sec	12 Sec	12 Sec	6 Min
6	15 Sec	15 Sec	15 Sec	7 Min
7	20 Sec	20 Sec	20 Sec	8 Min
8	30 Sec	30 Sec	25 Sec	9 Min
9	45 Sec	45 Sec	30 Sec	10 Min
A	1 Min	1 Min	35 Sec	20 Min
B	2 Min	2 Min	45 Sec	30 Min
C	3 Min	3 Min	1 Min	40 Min
D	4 Min	4 Min	1.5 Min	50 Min
E	5 Min	5 Min	2 Min	60 Min
F	Manual	Infinite	2.5 Min	90 Min

ES440-B2-C3 REX
Located on the exit side of the door
Sold Separately

Note:
Wire Gauge:
22 AWG = Signal wires
22 AWG = Power wires
(Power runs over 50 feet use 18 AWG)

Note:
Suggested Power Supply
PS/DC12
PS/AC16

**12-24 VAC/VDC
250mA
Power Supply**
Sold Separately

ES4200-K3-T1 Door Strike Configuration

Push Button REX

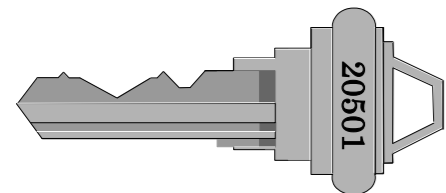
Specifications: ES4200

Power: 12-24 VAC/VDC at (250ma)

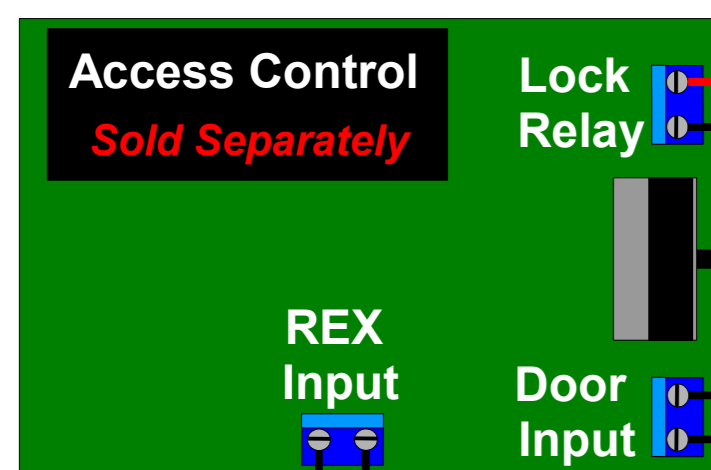
Output Relays: N/C & N/O contact 1000ma at 30 VDC

Horn Volume: Selectable 96db or 103 db

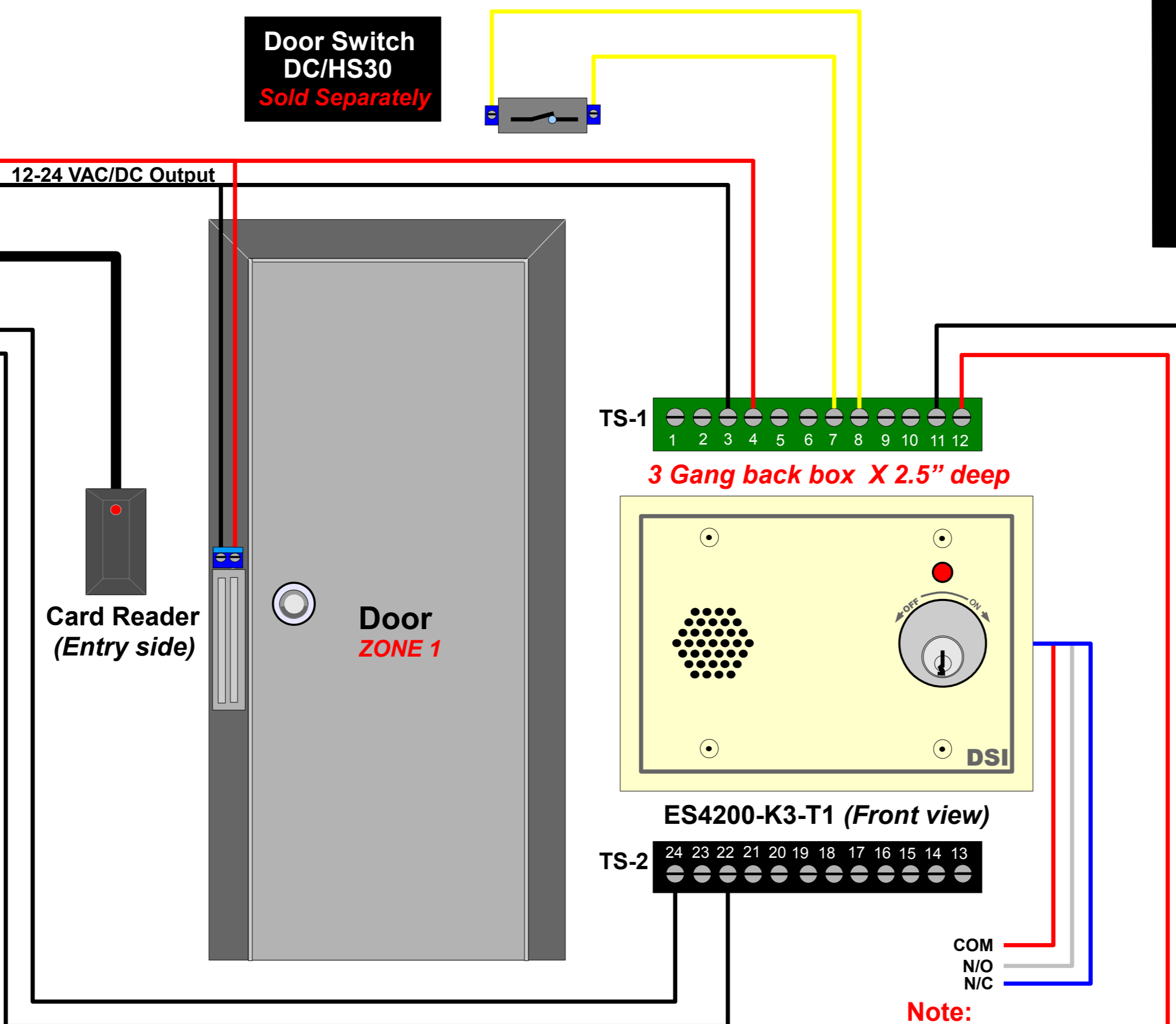
Voltage Sense Mode
Jumper placement



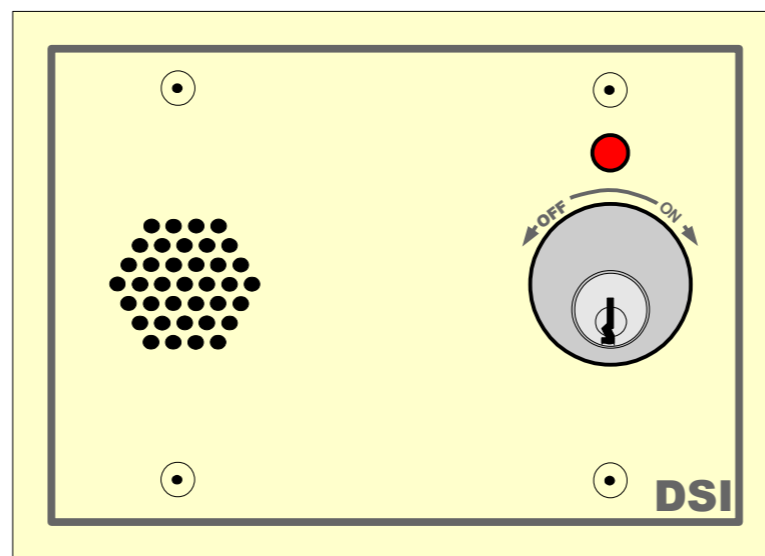
K3 Key (Side view)



Door Switch
DC/HS30
Sold Separately



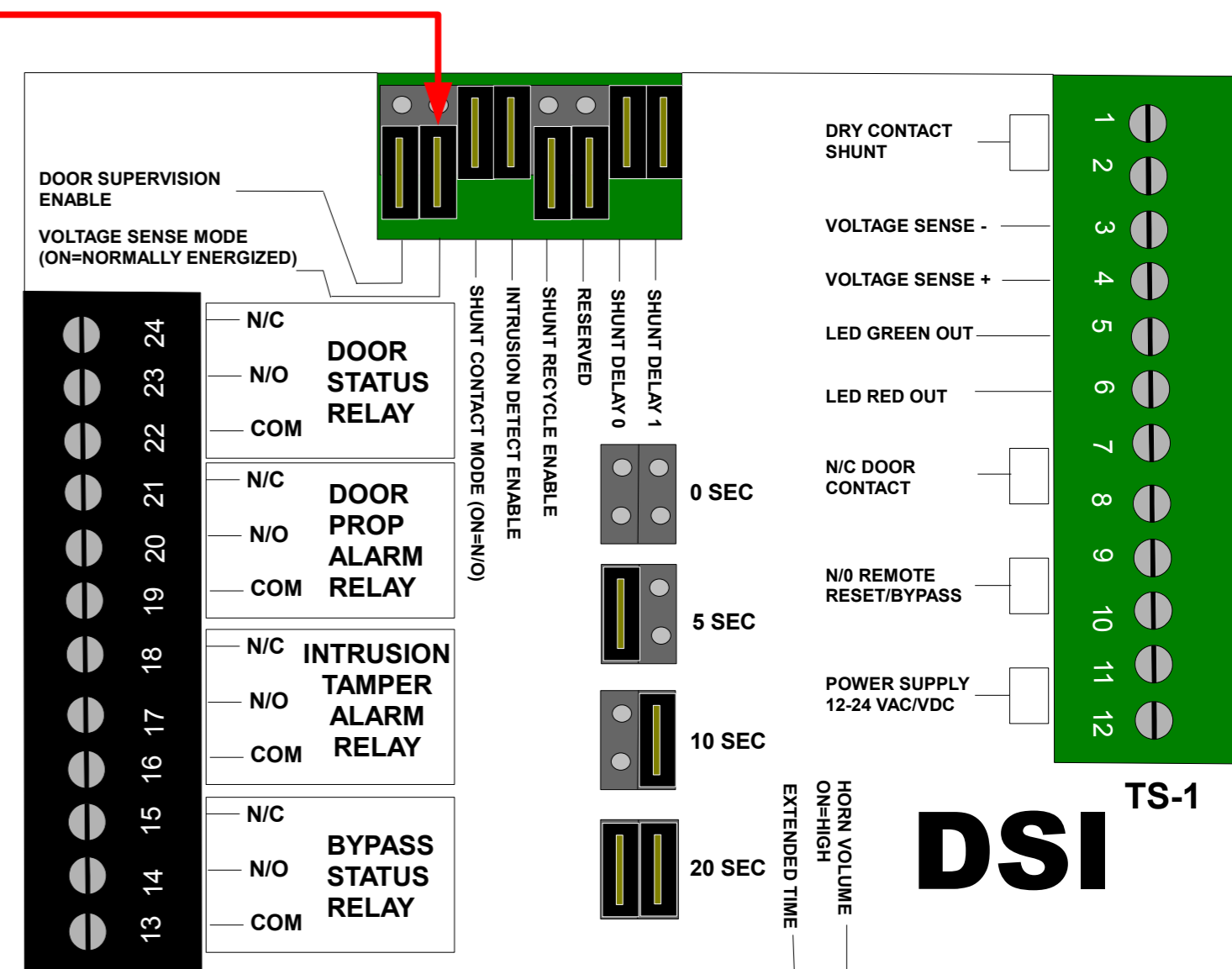
TS-1
1 2 3 4 5 6 7 8 9 10 11 12
3 Gang back box X 2.5" deep



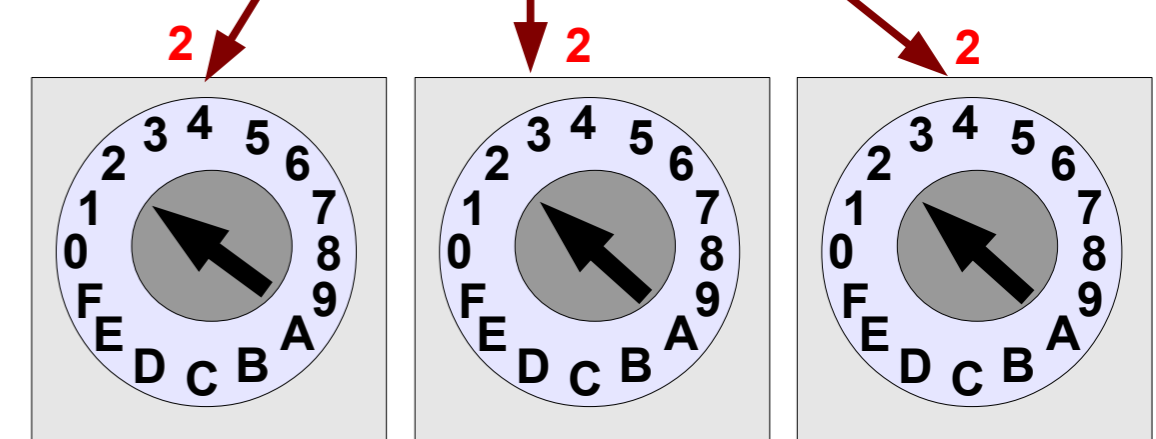
ES4200-K3-T1 (Front view)

TS-2
24 23 22 21 20 19 18 17 16 15 14 13

COM
N/O
N/C
Note:
Key switch status



TS-2
AUTO RESET ALARM DELAY SILENT TIME
ES4200-K3-T1 (Rear view)



5 Second Factory default 5 Second Factory default 5 Second Factory default

SET	Auto Reset	Alarm Delay	Silent Time	
			Normal	Extended
0	0 Sec	0 Sec	0 Sec	3 Min
1	3 Sec	3 Sec	3 Sec	3.5 Min
2	5 Sec	5 Sec	5 Sec	4 Min
3	7 Sec	7 Sec	7 Sec	4.5 Min
4	10 Sec	10 Sec	10 Sec	5 Min
5	12 Sec	12 Sec	12 Sec	6 Min
6	15 Sec	15 Sec	15 Sec	7 Min
7	20 Sec	20 Sec	20 Sec	8 Min
8	30 Sec	30 Sec	25 Sec	9 Min
9	45 Sec	45 Sec	30 Sec	10 Min
A	1 Min	1 Min	35 Sec	20 Min
B	2 Min	2 Min	45 Sec	30 Min
C	3 Min	3 Min	1 Min	40 Min
D	4 Min	4 Min	1.5 Min	50 Min
E	5 Min	5 Min	2 Min	60 Min
F	Manual	Infinite	2.5 Min	90 Min

12-24 VAC/VDC
250mA
Power Supply
Sold Separately

Note:
Wire Gauge:
22 AWG = Signal wires
22 AWG = Power wires
(Power runs over 50 feet use 18 AWG)

Note:
Suggested Power Supply
PS/DC12
PS/AC16