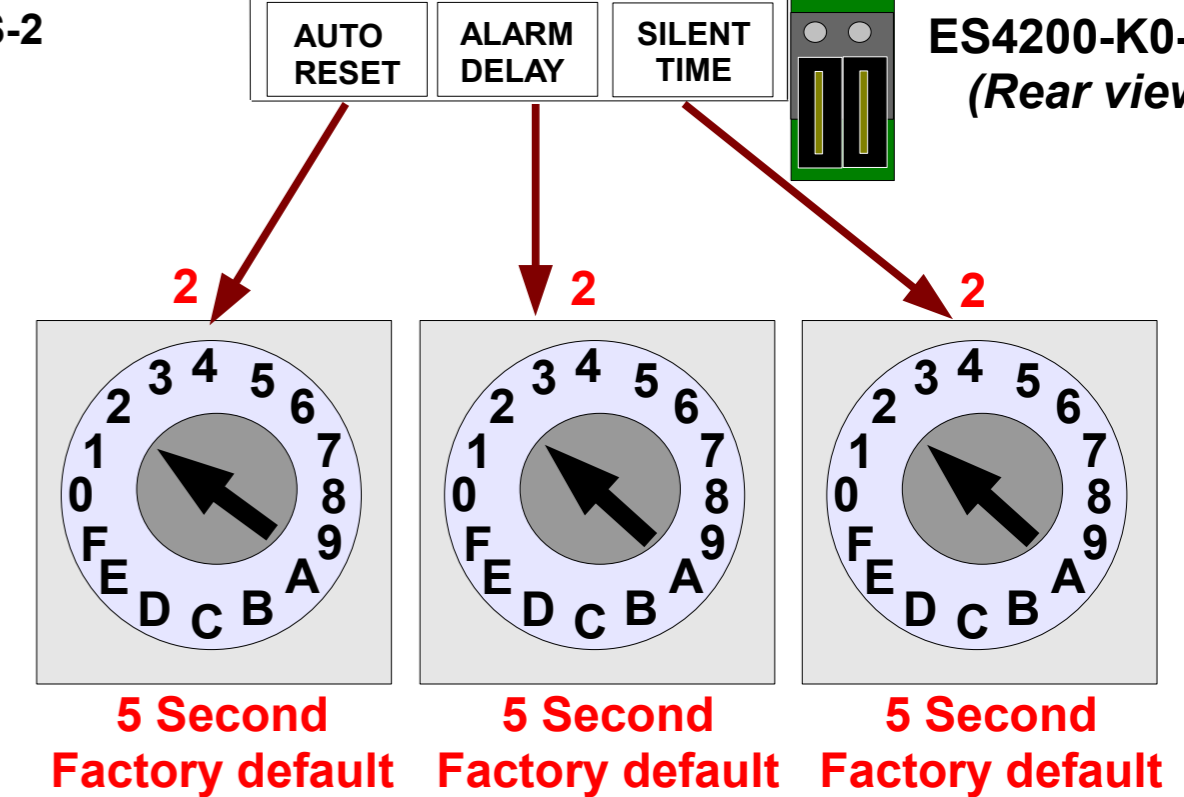
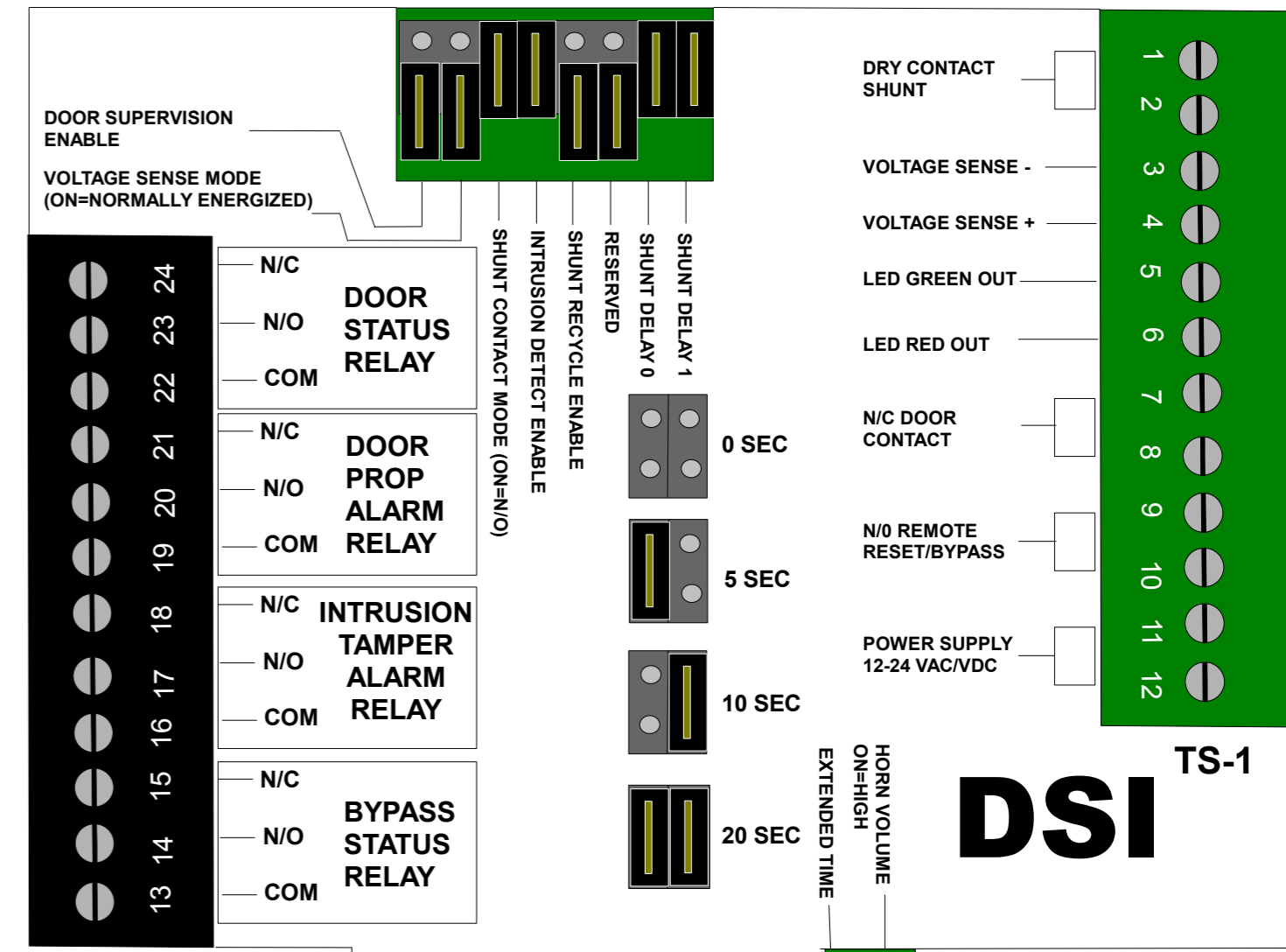
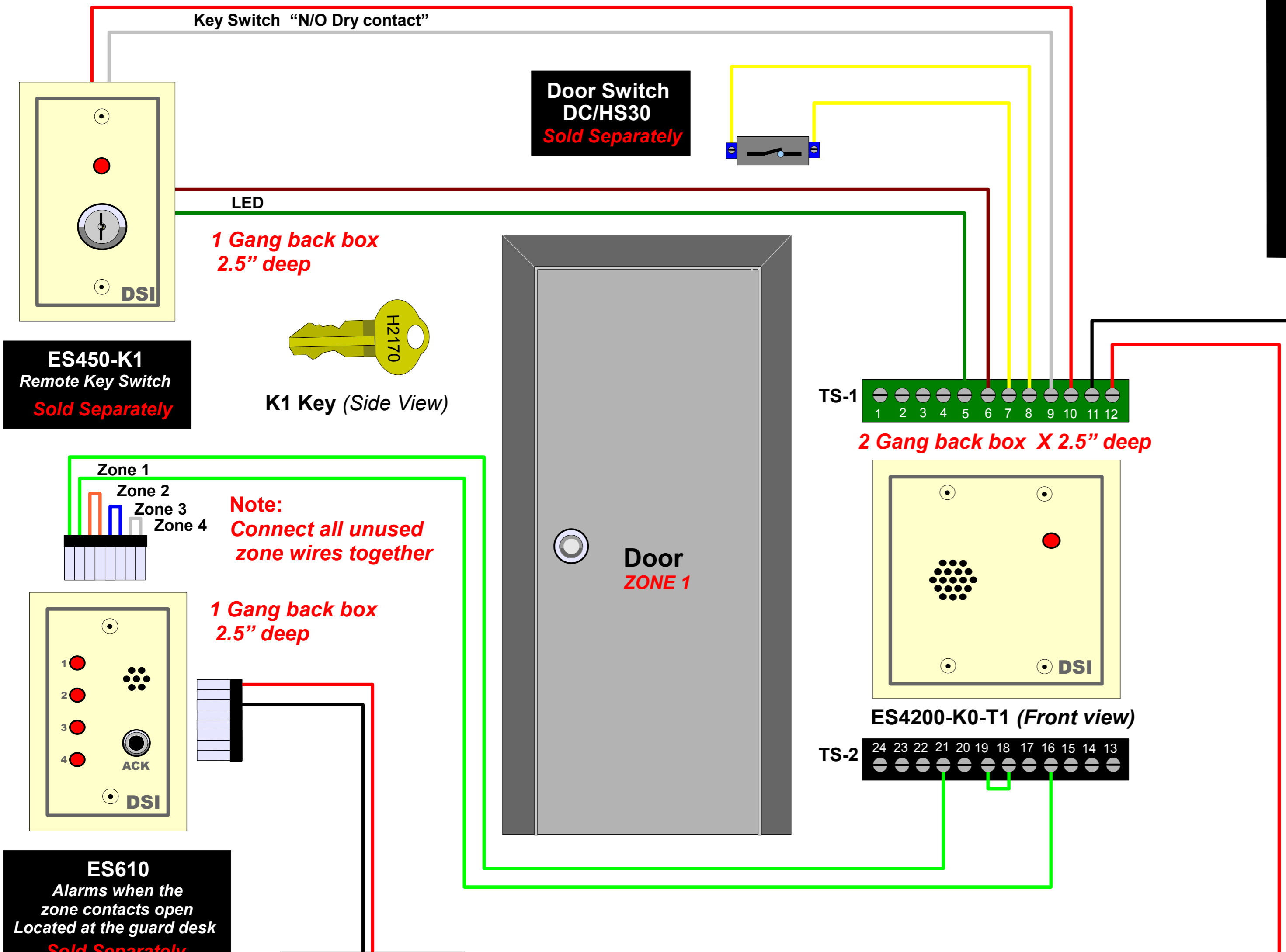


ES4200-K0-T1 Exit Alarm Configuration

Specifications: ES4200
Power: 12-24 VAC/VDC at (250ma)
Output Relays: N/C & N/O contact 1000ma at 30 VDC
Horn Volume: Selectable 96db or 103 db



SET	Auto Reset	Alarm Delay	Silent Time	
			Normal	Extended
0	0 Sec	0 Sec	0 Sec	3 Min
1	3 Sec	3 Sec	3 Sec	3.5 Min
2	5 Sec	5 Sec	5 Sec	4 Min
3	7 Sec	7 Sec	7 Sec	4.5 Min
4	10 Sec	10 Sec	10 Sec	5 Min
5	12 Sec	12 Sec	12 Sec	6 Min
6	15 Sec	15 Sec	15 Sec	7 Min
7	20 Sec	20 Sec	20 Sec	8 Min
8	30 Sec	30 Sec	25 Sec	9 Min
9	45 Sec	45 Sec	30 Sec	10 Min
A	1 Min	1 Min	35 Sec	20 Min
B	2 Min	2 Min	45 Sec	30 Min
C	3 Min	3 Min	1 Min	40 Min
D	4 Min	4 Min	1.5 Min	50 Min
E	5 Min	5 Min	2 Min	60 Min
F	Manual	Infinite	2.5 Min	90 Min

Note: Wire Gauge:
22 AWG = Signal wires
22 AWG = Power wires
(Power runs over 50 feet use 18 AWG)

Note: Suggested Power Supply
PS/DC12
PS/AC16

12-24 VAC/VDC
250mA
Power Supply
Sold Separately

ES610
Alarms when the zone contacts open
Located at the guard desk
Sold Separately

DSI
DESIGNED SECURITY, INC.
1-800-272-3555

12 VDC
150mA
Power Supply
Sold Separately

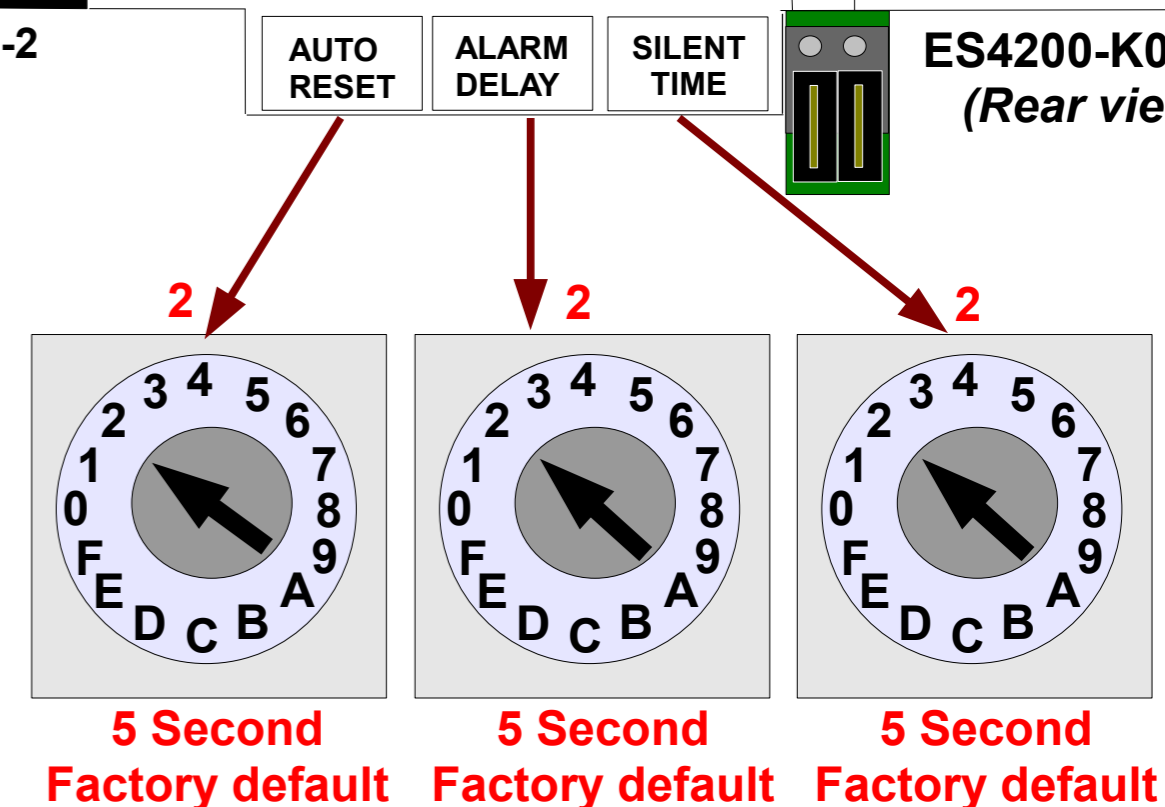
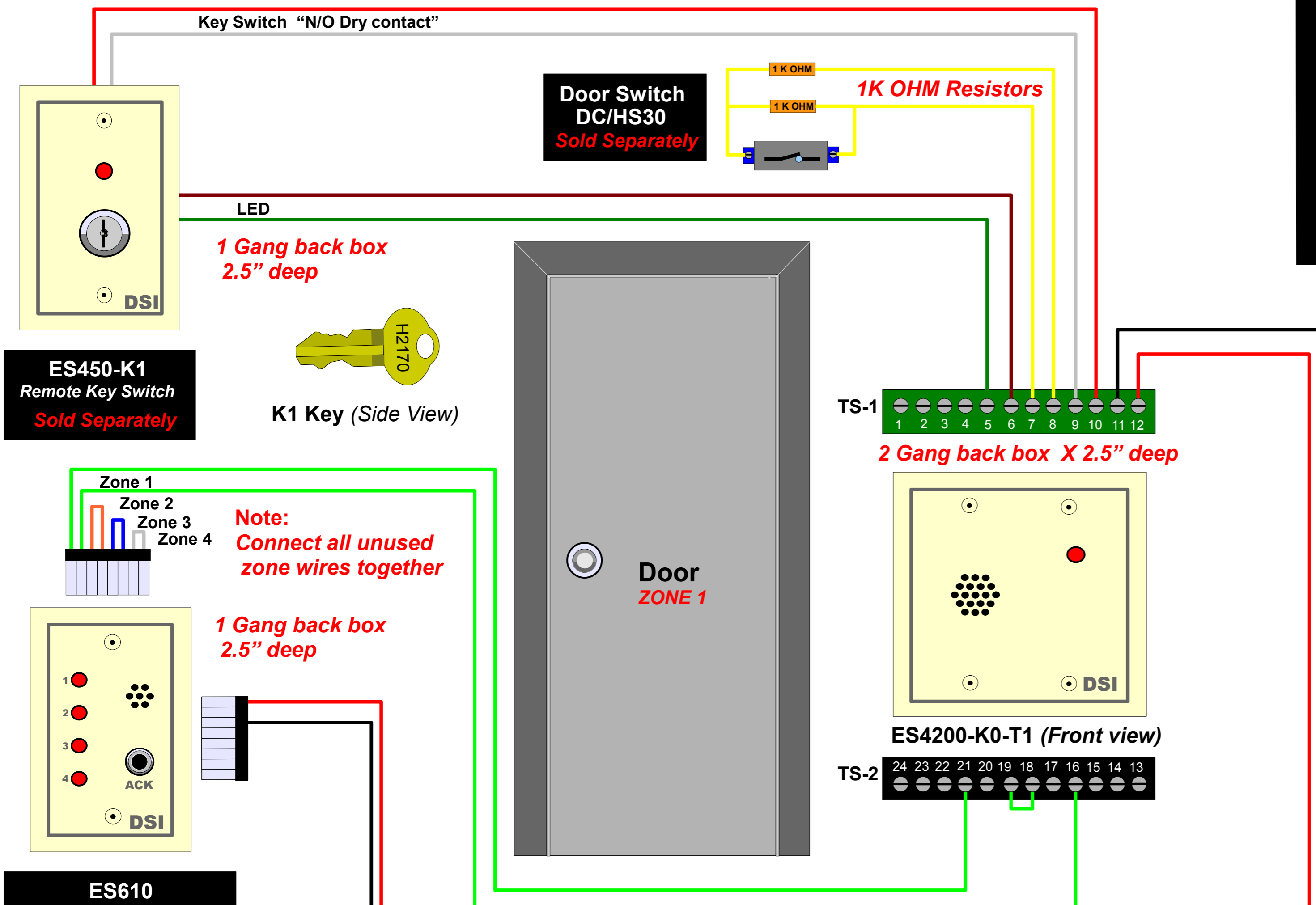
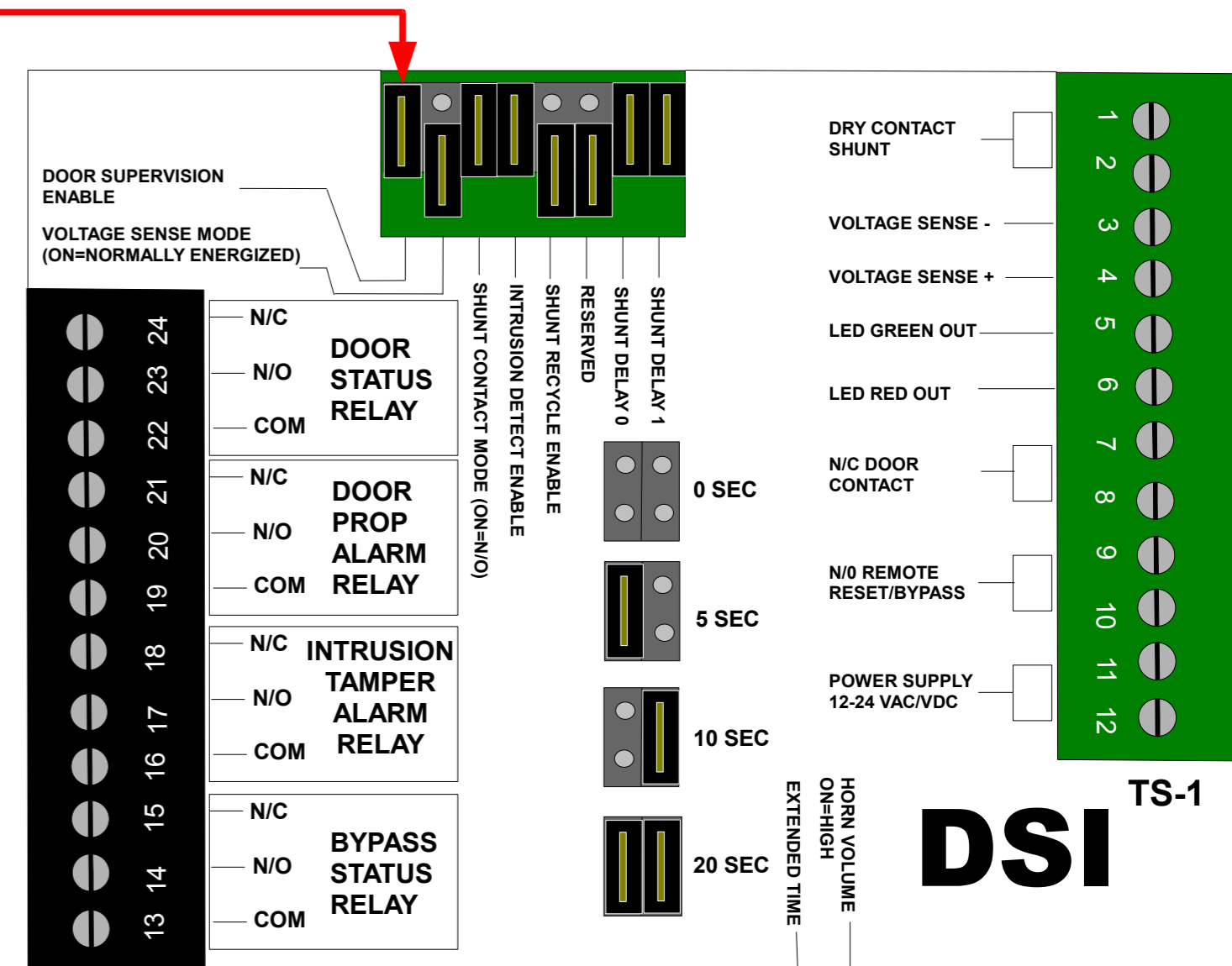
ES4200-K0-T1 Exit Alarm Configuration

Supervised Door

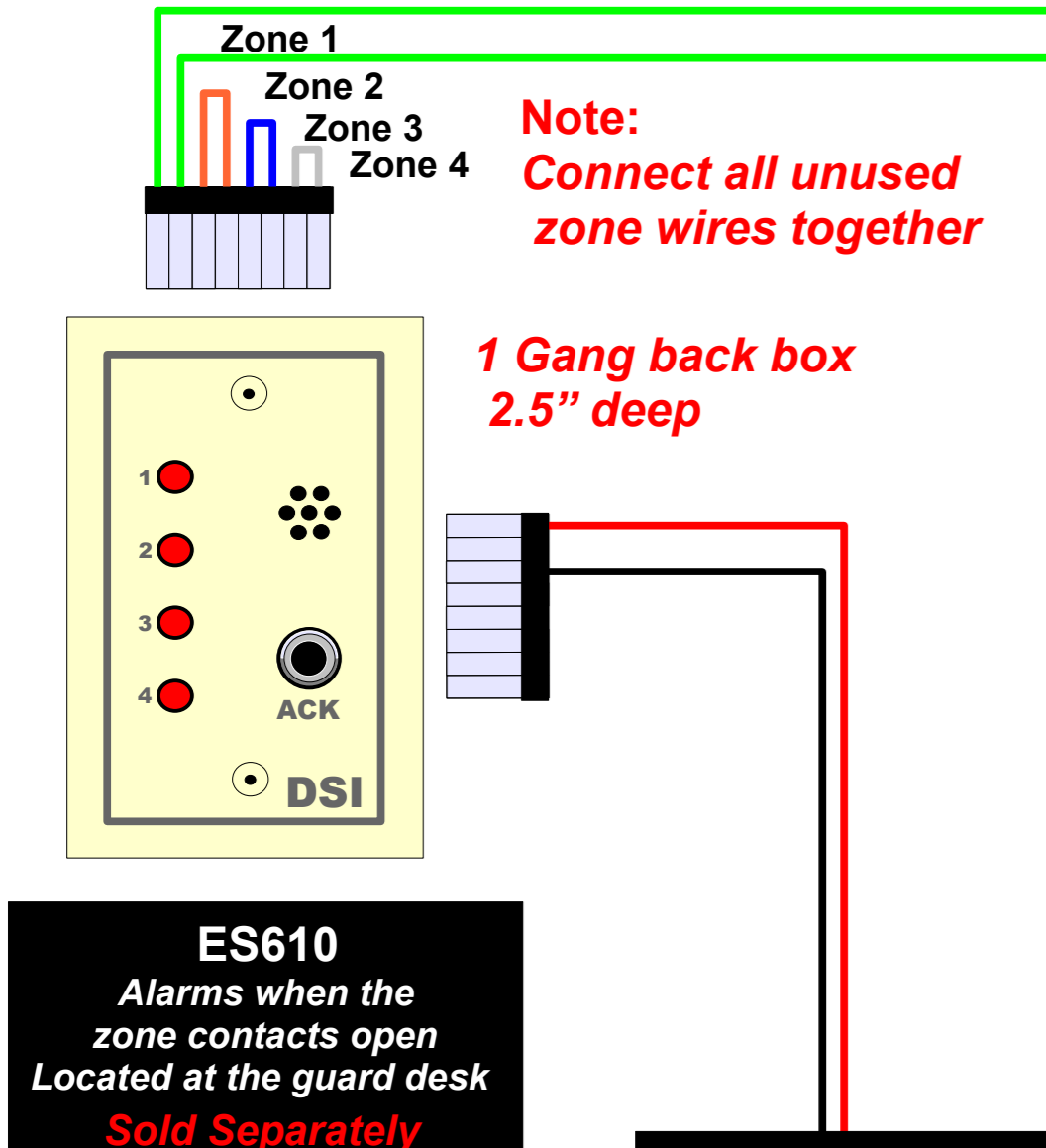
Specifications: ES4200
Power: 12-24 VAC/VDC at (250ma)
Output Relays: N/C & N/O contact 1000ma at 30 VDC
Horn Volume: Selectable 96db or 103 db

Supervision Enable Jumper placement

Use 1K OHM resistors on door switch



SET	Auto Reset	Alarm Delay	Silent Time	
			Normal	Extended
0	0 Sec	0 Sec	0 Sec	3 Min
1	3 Sec	3 Sec	3 Sec	3.5 Min
2	5 Sec	5 Sec	5 Sec	4 Min
3	7 Sec	7 Sec	7 Sec	4.5 Min
4	10 Sec	10 Sec	10 Sec	5 Min
5	12 Sec	12 Sec	12 Sec	6 Min
6	15 Sec	15 Sec	15 Sec	7 Min
7	20 Sec	20 Sec	20 Sec	8 Min
8	30 Sec	30 Sec	25 Sec	9 Min
9	45 Sec	45 Sec	30 Sec	10 Min
A	1 Min	1 Min	35 Sec	20 Min
B	2 Min	2 Min	45 Sec	30 Min
C	3 Min	3 Min	1 Min	40 Min
D	4 Min	4 Min	1.5 Min	50 Min
E	5 Min	5 Min	2 Min	60 Min
F	Manual	Infinite	2.5 Min	90 Min



12 VDC 150mA Power Supply (Sold Separately)

12-24 VAC/VDC 250mA Power Supply (Sold Separately)

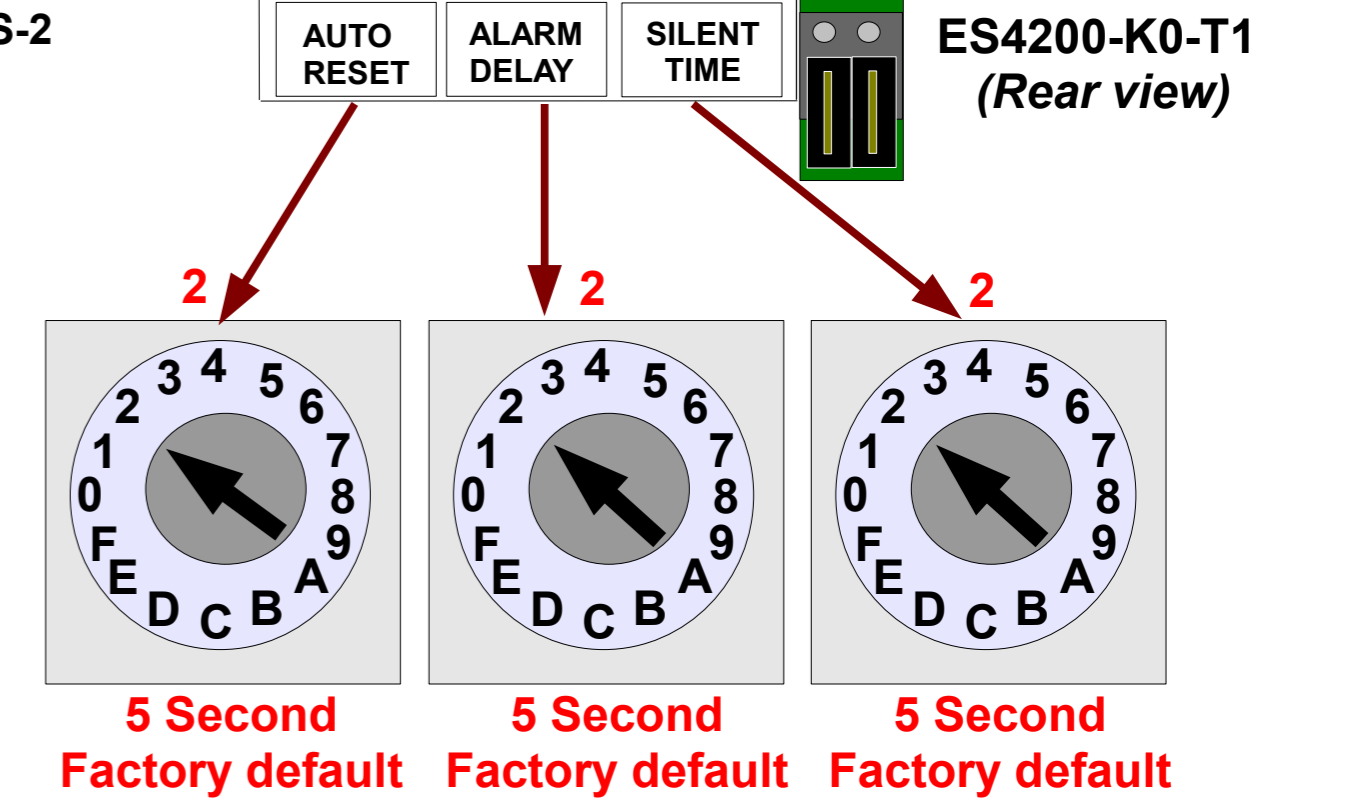
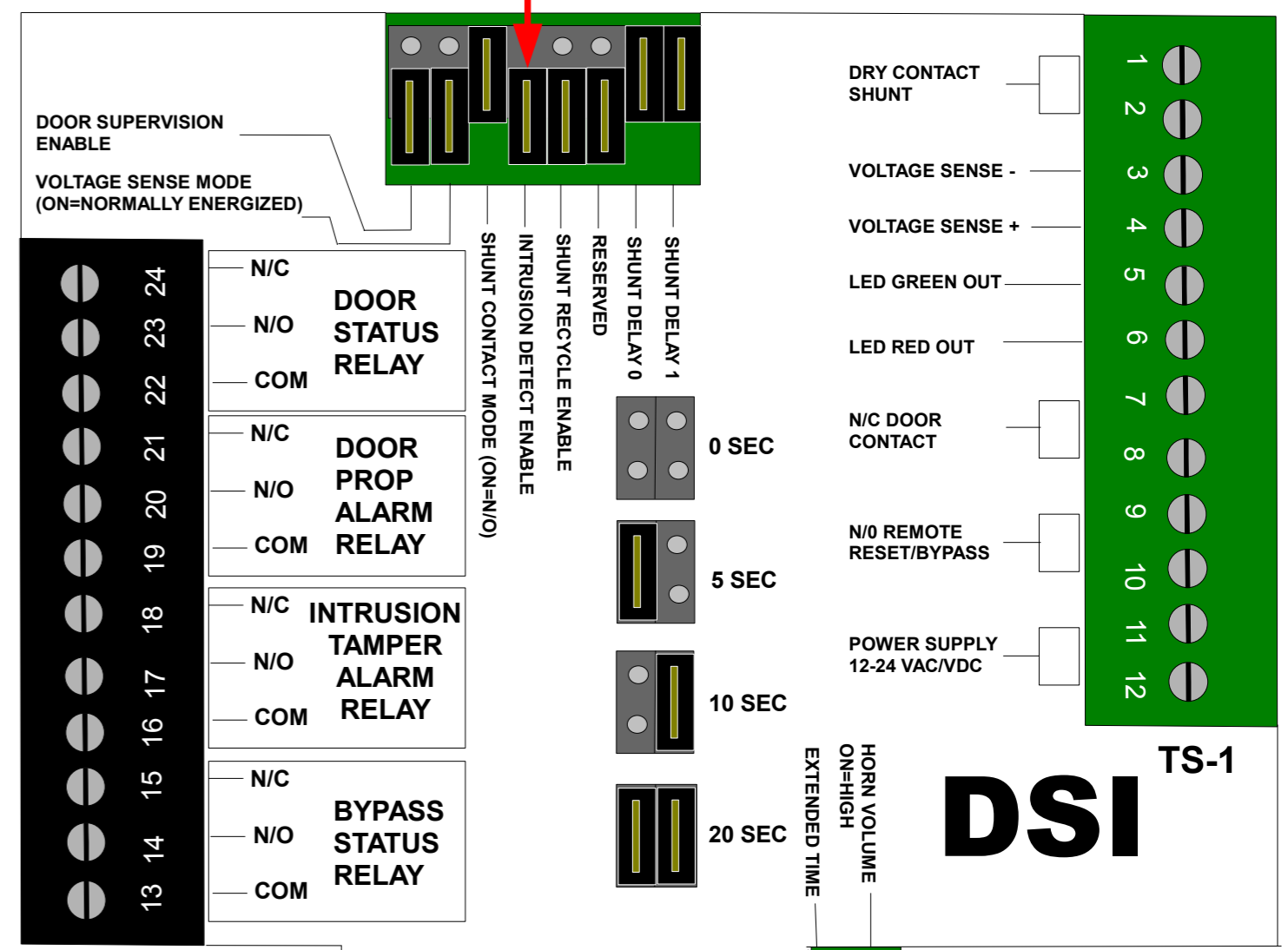
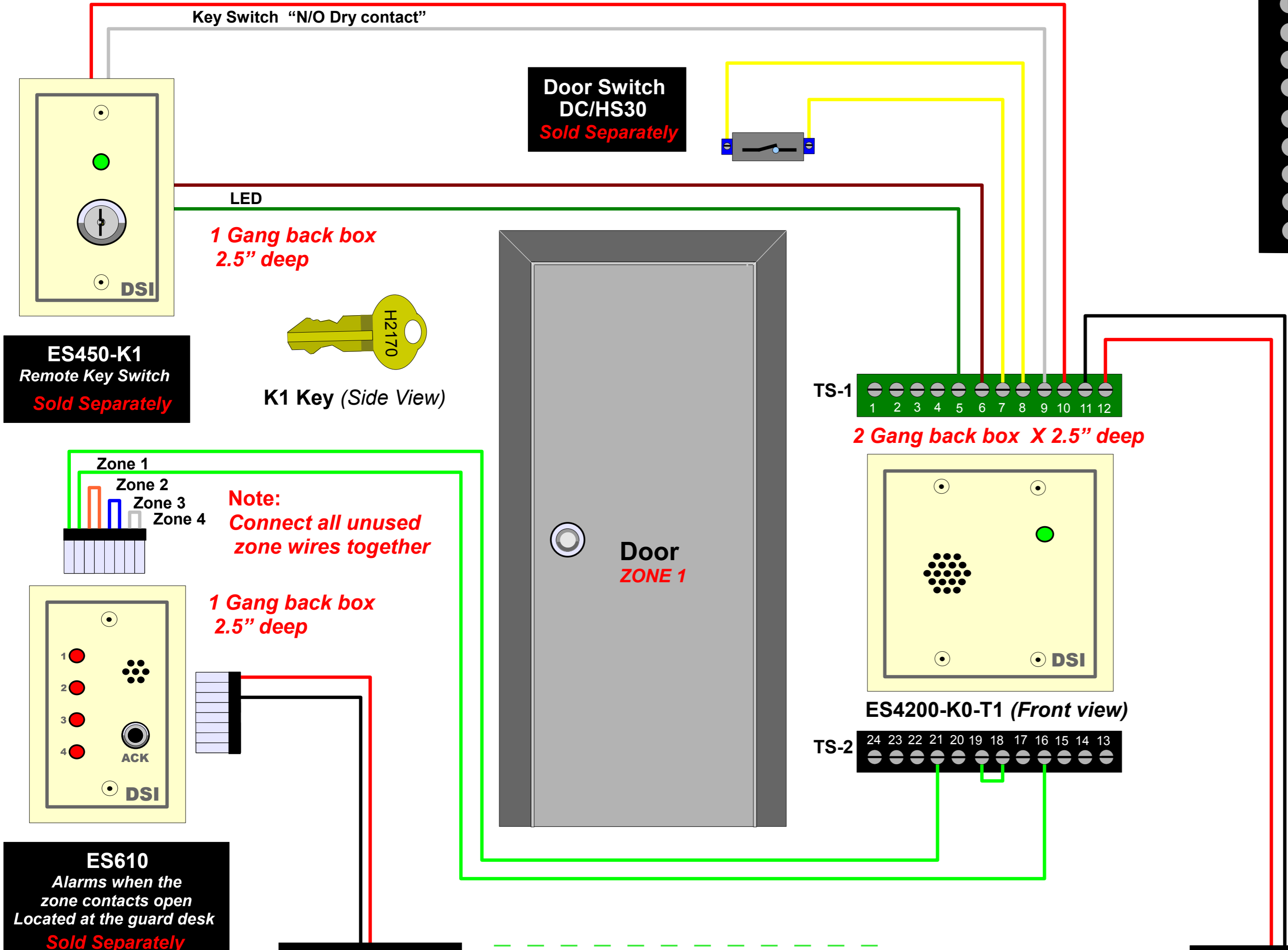
Note: Wire Gauge:
 22 AWG = Signal wires
 22 AWG = Power wires
 (Power runs over 50 feet use 18 AWG)

Note: Suggested Power Supply
 PS/DC12
 PS/AC16

ES4200-K0-T1 Door Prop Configuration

Specifications: ES4200
Power: 12-24 VAC/VDC at (250ma)
Output Relays: N/C & N/O contact 1000ma at 30 VDC
Horn Volume: Selectable 96db or 103 db

**Intrusion Detect Enable
 Jumper placement**



SET	Auto Reset	Alarm Delay	Silent Time	
			Normal	Extended
0	0 Sec	0 Sec	0 Sec	3 Min
1	3 Sec	3 Sec	3 Sec	3.5 Min
2	5 Sec	5 Sec	5 Sec	4 Min
3	7 Sec	7 Sec	7 Sec	4.5 Min
4	10 Sec	10 Sec	10 Sec	5 Min
5	12 Sec	12 Sec	12 Sec	6 Min
6	15 Sec	15 Sec	15 Sec	7 Min
7	20 Sec	20 Sec	20 Sec	8 Min
8	30 Sec	30 Sec	25 Sec	9 Min
9	45 Sec	45 Sec	30 Sec	10 Min
A	1 Min	1 Min	35 Sec	20 Min
B	2 Min	2 Min	45 Sec	30 Min
C	3 Min	3 Min	1 Min	40 Min
D	4 Min	4 Min	1.5 Min	50 Min
E	5 Min	5 Min	2 Min	60 Min
F	Manual	Infinite	2.5 Min	90 Min

Note:
Wire Gauge:
 22 AWG = Signal wires
 22 AWG = Power wires
 (Power runs over 50 feet use 18 AWG)

Note:
 Suggested Power Supply
 PS/DC12
 PS/AC16

ES4200-K0-T1 Magnetic Lock Configuration

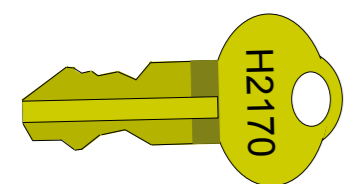
Push Button REX

Specifications: ES4200

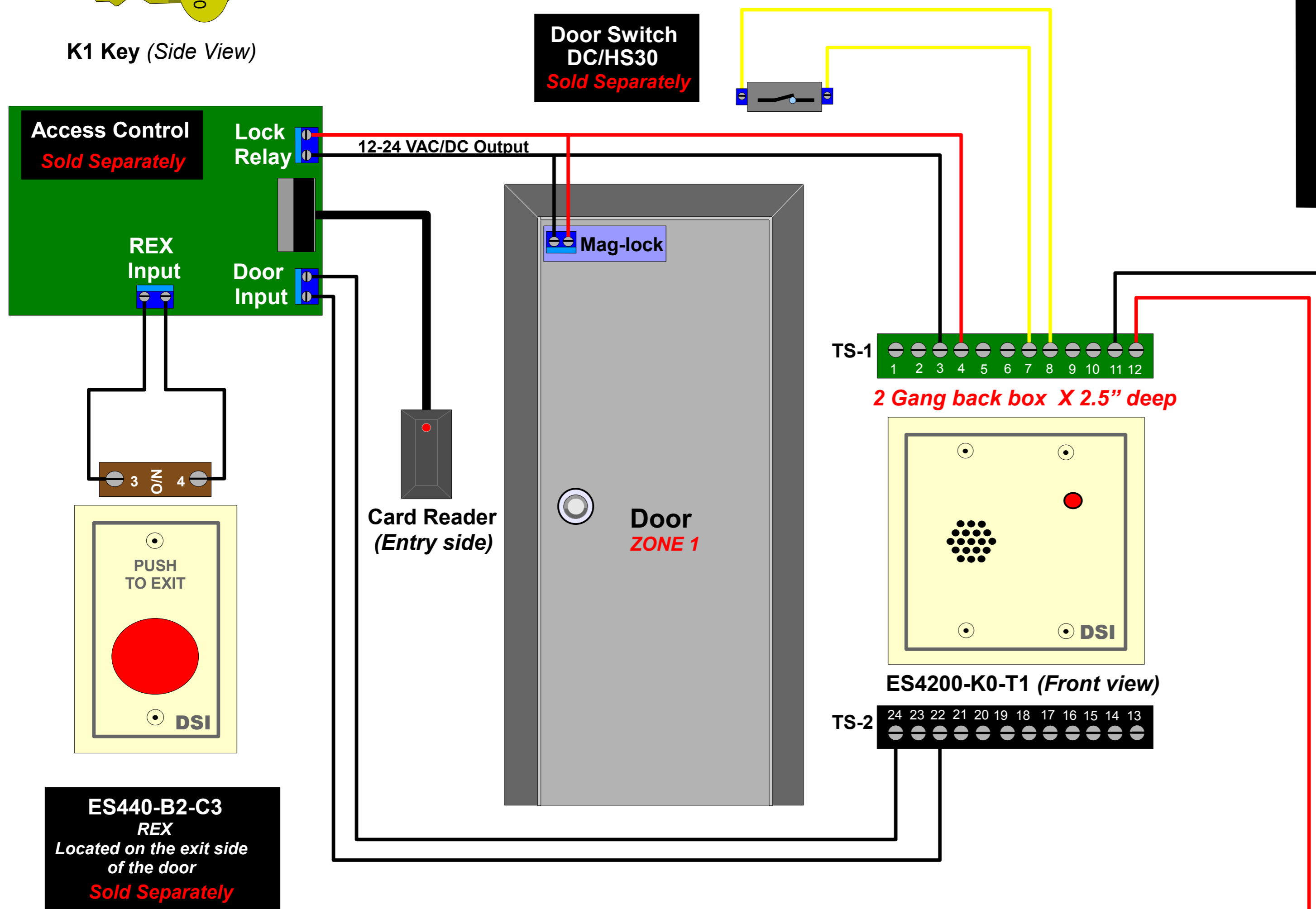
Power: 12-24 VAC/VDC at (250ma)

Output Relays: N/C & N/O contact 1000ma at 30 VDC

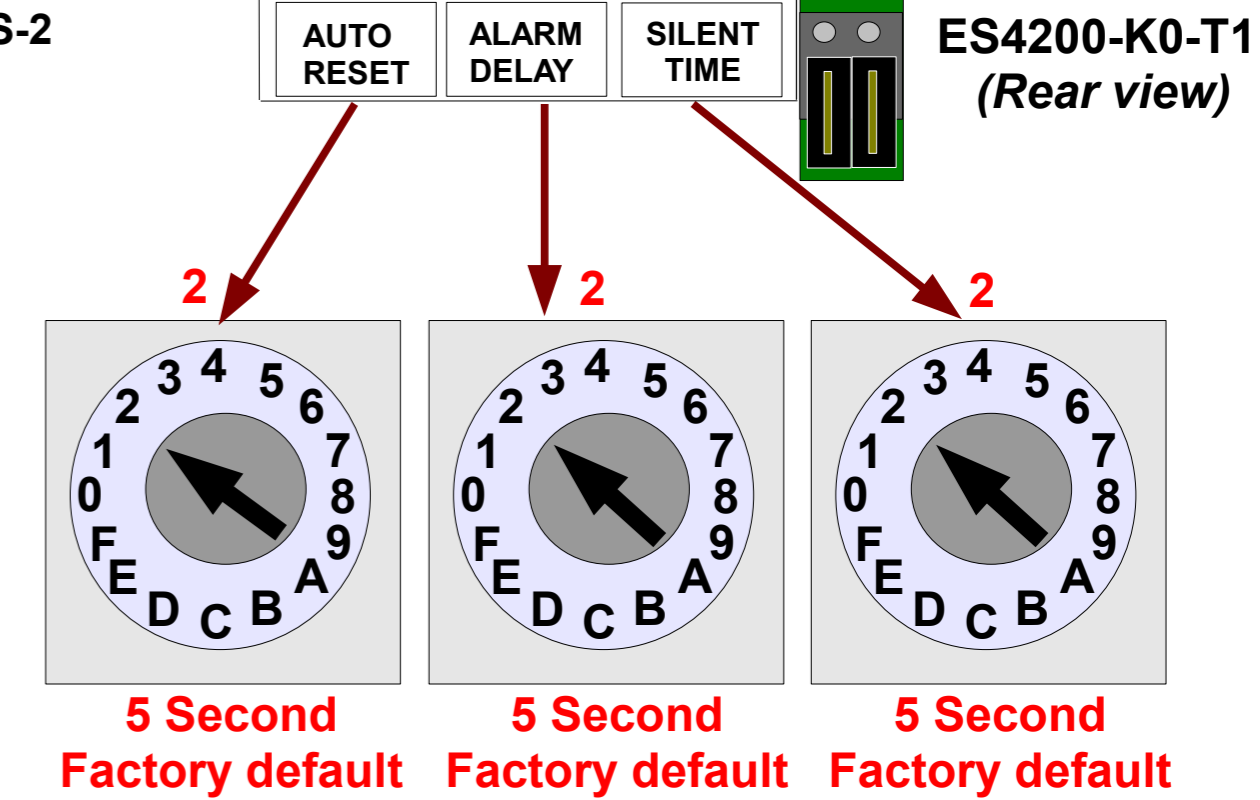
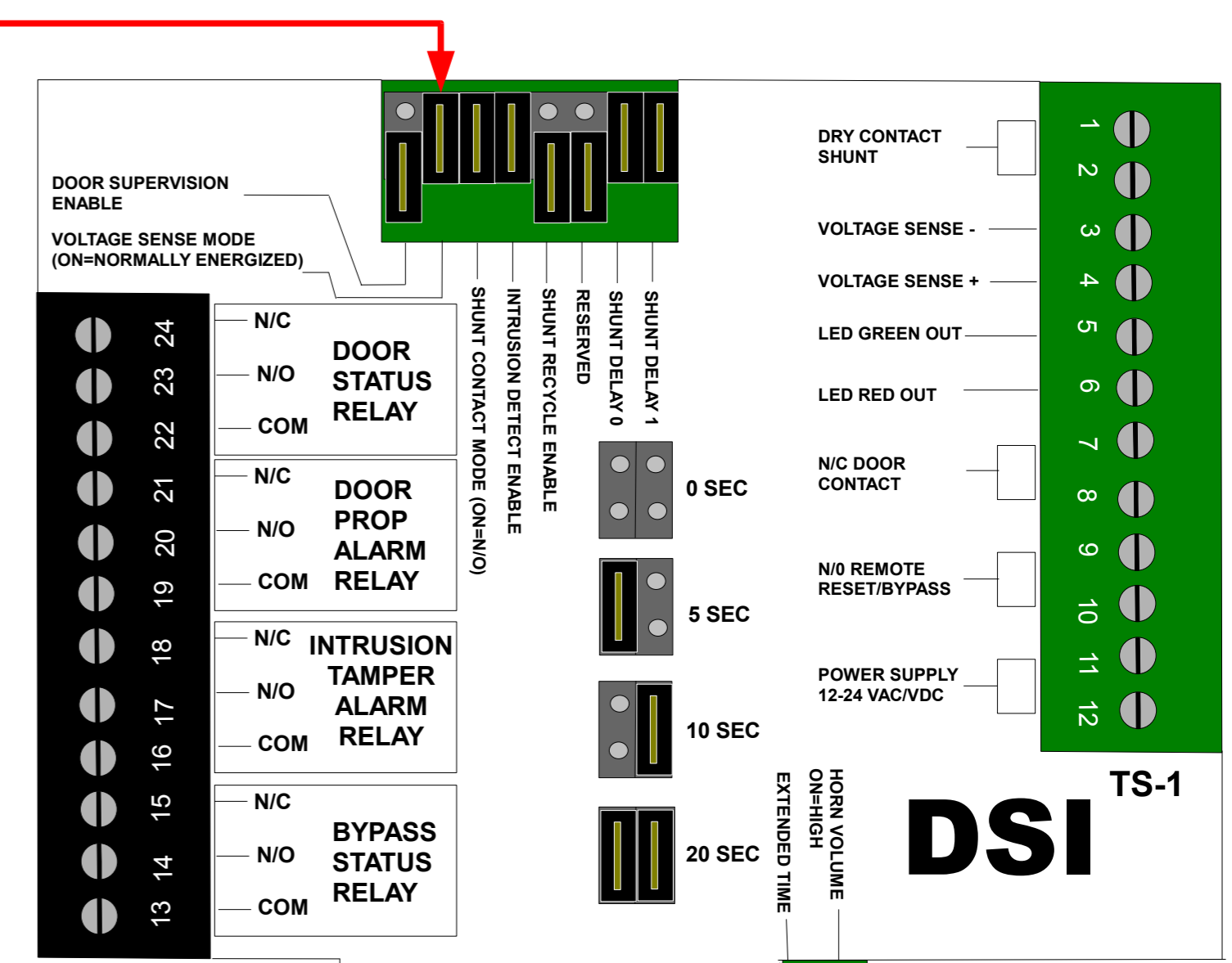
Horn Volume: Selectable 96db or 103 db



K1 Key (Side View)



Voltage Sense Mode Jumper placement



SET	Auto Reset	Alarm Delay	Silent Time	
			Normal	Extended
0	0 Sec	0 Sec	0 Sec	3 Min
1	3 Sec	3 Sec	3 Sec	3.5 Min
2	5 Sec	5 Sec	5 Sec	4 Min
3	7 Sec	7 Sec	7 Sec	4.5 Min
4	10 Sec	10 Sec	10 Sec	5 Min
5	12 Sec	12 Sec	12 Sec	6 Min
6	15 Sec	15 Sec	15 Sec	7 Min
7	20 Sec	20 Sec	20 Sec	8 Min
8	30 Sec	30 Sec	25 Sec	9 Min
9	45 Sec	45 Sec	30 Sec	10 Min
A	1 Min	1 Min	35 Sec	20 Min
B	2 Min	2 Min	45 Sec	30 Min
C	3 Min	3 Min	1 Min	40 Min
D	4 Min	4 Min	1.5 Min	50 Min
E	5 Min	5 Min	2 Min	60 Min
F	Manual	Infinite	2.5 Min	90 Min

12-24 VAC/VDC
250mA
Power Supply
Sold Separately

Note: Wire Gauge:
22 AWG = Signal wires
22 AWG = Power wires
(Power runs over 50 feet use 18 AWG)

Note: Suggested Power Supply
PS/DC12
PS/AC16

ES4200-K0-T1 Door Strike Configuration

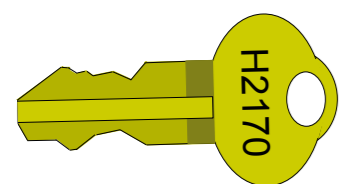
Push Button REX

Specifications: ES4200

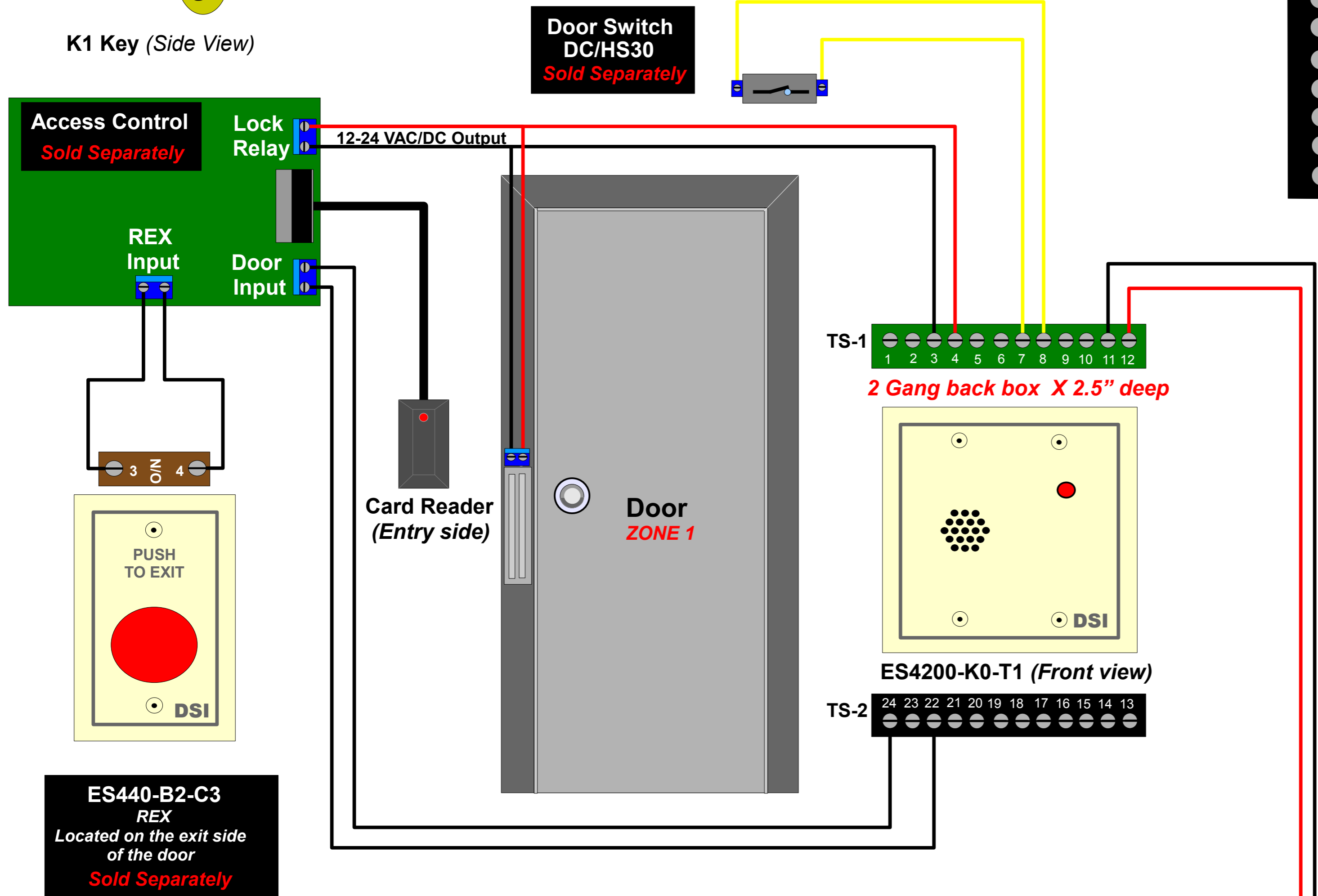
Power: 12-24 VAC/VDC at (250ma)

Output Relays: N/C & N/O contact 1000ma at 30 VDC

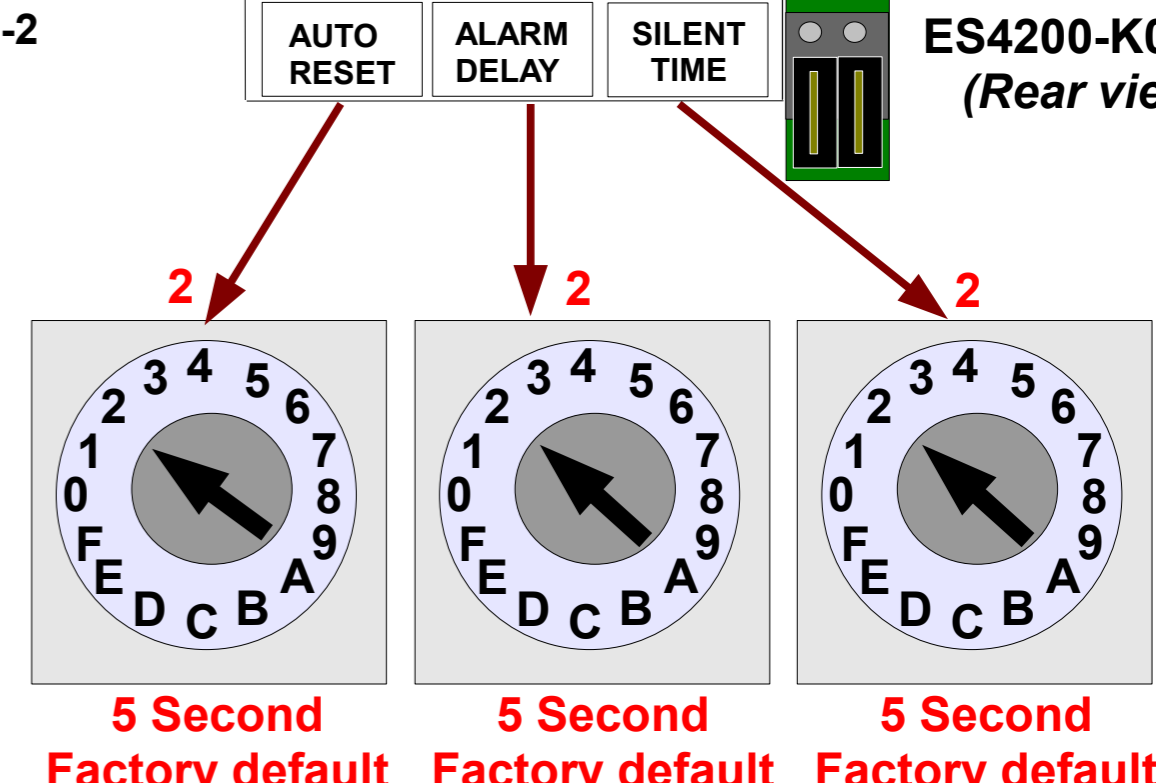
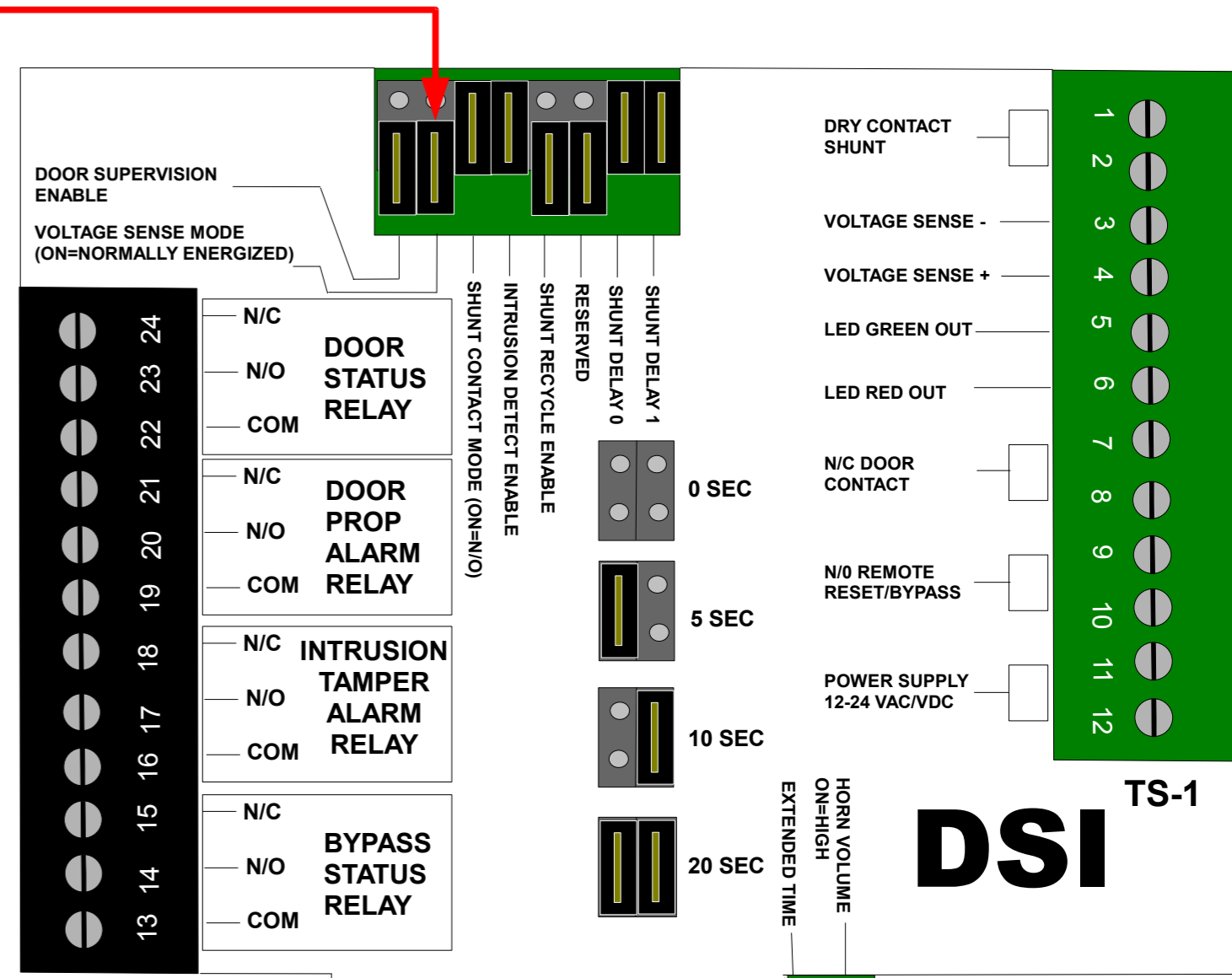
Horn Volume: Selectable 96db or 103 db



K1 Key (Side View)



Voltage Sense Mode Jumper placement



SET	Auto Reset	Alarm Delay	Silent Time	
			Normal	Extended
0	0 Sec	0 Sec	0 Sec	3 Min
1	3 Sec	3 Sec	3 Sec	3.5 Min
2	5 Sec	5 Sec	5 Sec	4 Min
3	7 Sec	7 Sec	7 Sec	4.5 Min
4	10 Sec	10 Sec	10 Sec	5 Min
5	12 Sec	12 Sec	12 Sec	6 Min
6	15 Sec	15 Sec	15 Sec	7 Min
7	20 Sec	20 Sec	20 Sec	8 Min
8	30 Sec	30 Sec	25 Sec	9 Min
9	45 Sec	45 Sec	30 Sec	10 Min
A	1 Min	1 Min	35 Sec	20 Min
B	2 Min	2 Min	45 Sec	30 Min
C	3 Min	3 Min	1 Min	40 Min
D	4 Min	4 Min	1.5 Min	50 Min
E	5 Min	5 Min	2 Min	60 Min
F	Manual	Infinite	2.5 Min	90 Min

12-24 VAC/VDC
250mA
Power Supply
Sold Separately

Note:
Wire Gauge:
22 AWG = Signal wires
22 AWG = Power wires
(Power runs over 50 feet use 18 AWG)

Note:
Suggested Power Supply
PS/DC12
PS/AC16