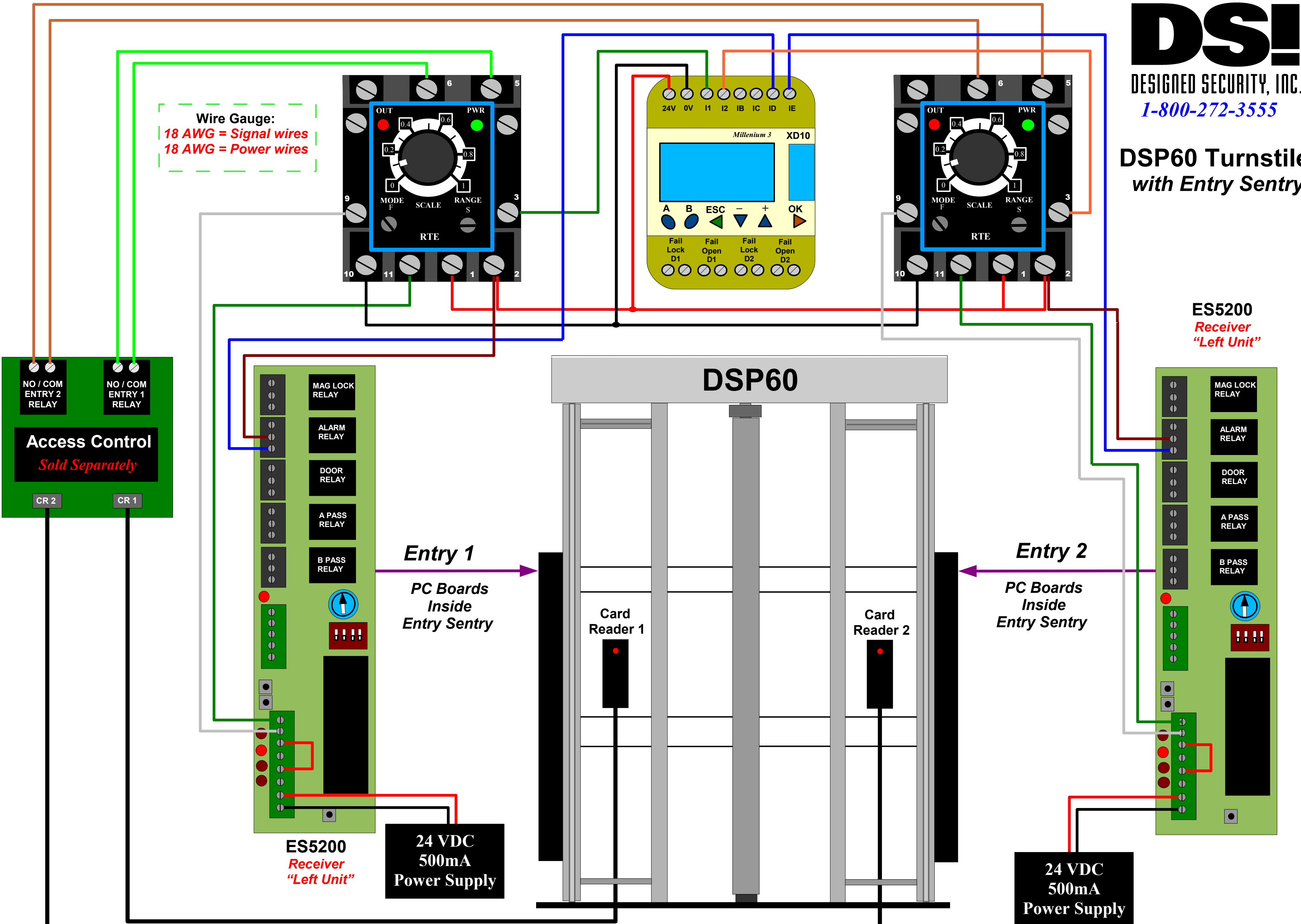


**DSP60 Turnstile
 with Entry Sentry**

Wire Gauge:
 18 AWG = Signal wires
 18 AWG = Power wires



ES520
 Receiver
 "Left Unit"

NO / COM
 ENTRY 2
 RELAY

NO / COM
 ENTRY 1
 RELAY

Access Control
Sold Separately

CR 2 CR 1

ES520
 Receiver
 "Left Unit"

24 VDC
 500mA
 Power Supply

24 VDC
 500mA
 Power Supply

Entry 1
 PC Boards
 Inside
 Entry Sentry

Entry 2
 PC Boards
 Inside
 Entry Sentry

Card
 Reader 1

Card
 Reader 2

DSP60

MAG LOCK
 RELAY

ALARM
 RELAY

DOOR
 RELAY

A PASS
 RELAY

B PASS
 RELAY

MAG LOCK
 RELAY

ALARM
 RELAY

DOOR
 RELAY

A PASS
 RELAY

B PASS
 RELAY