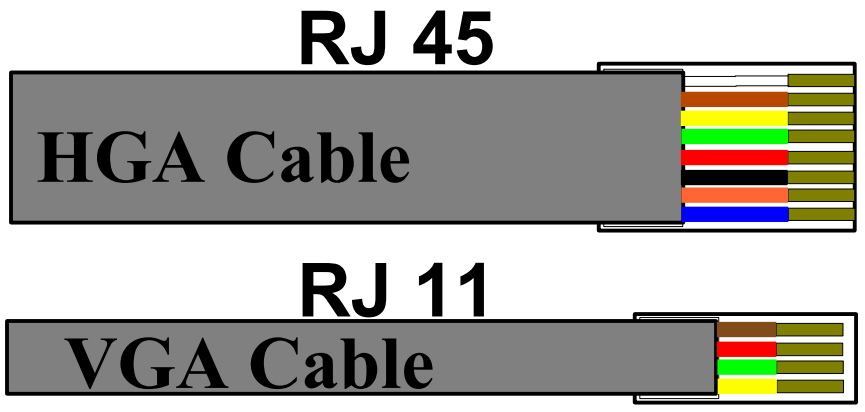
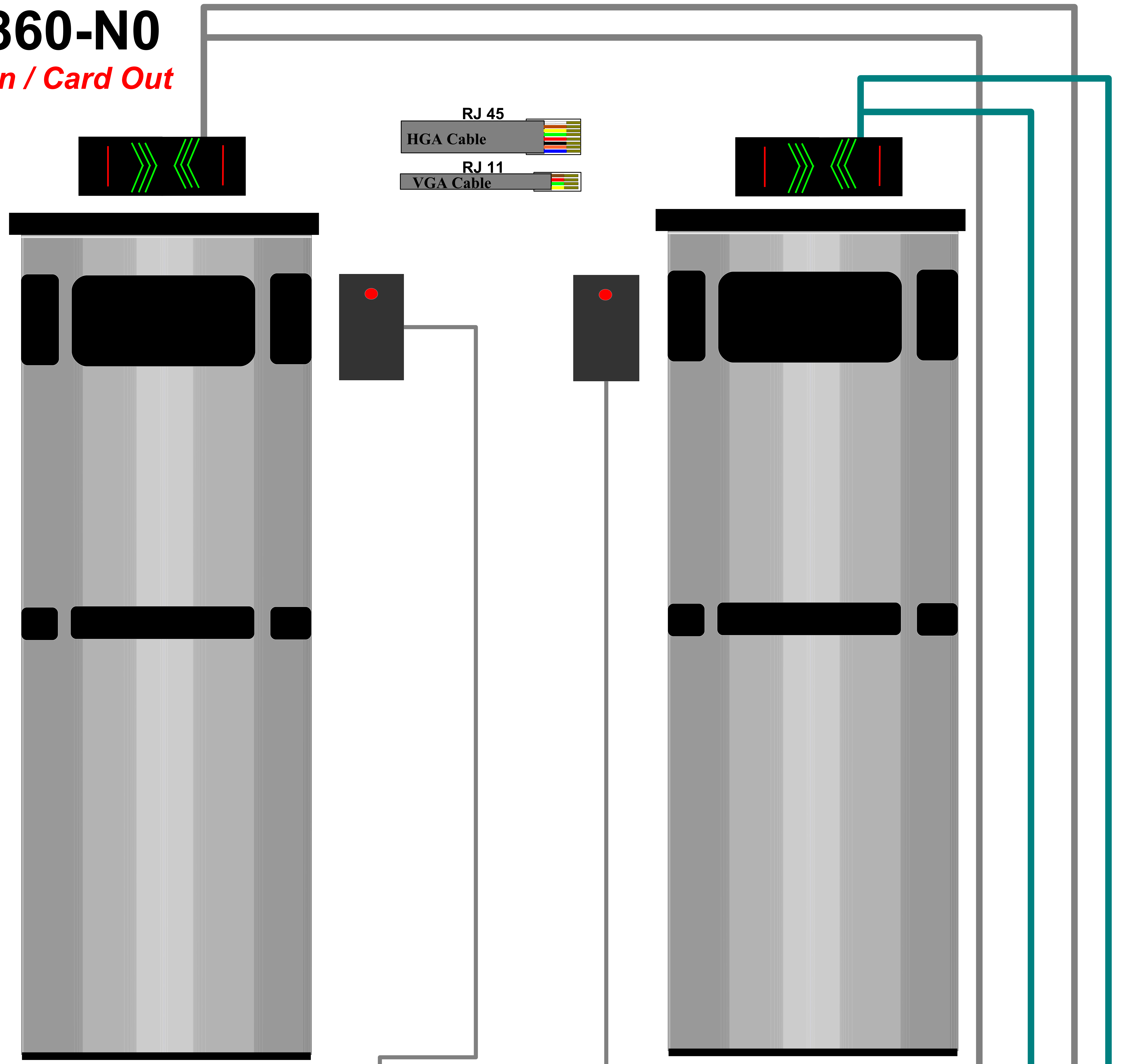
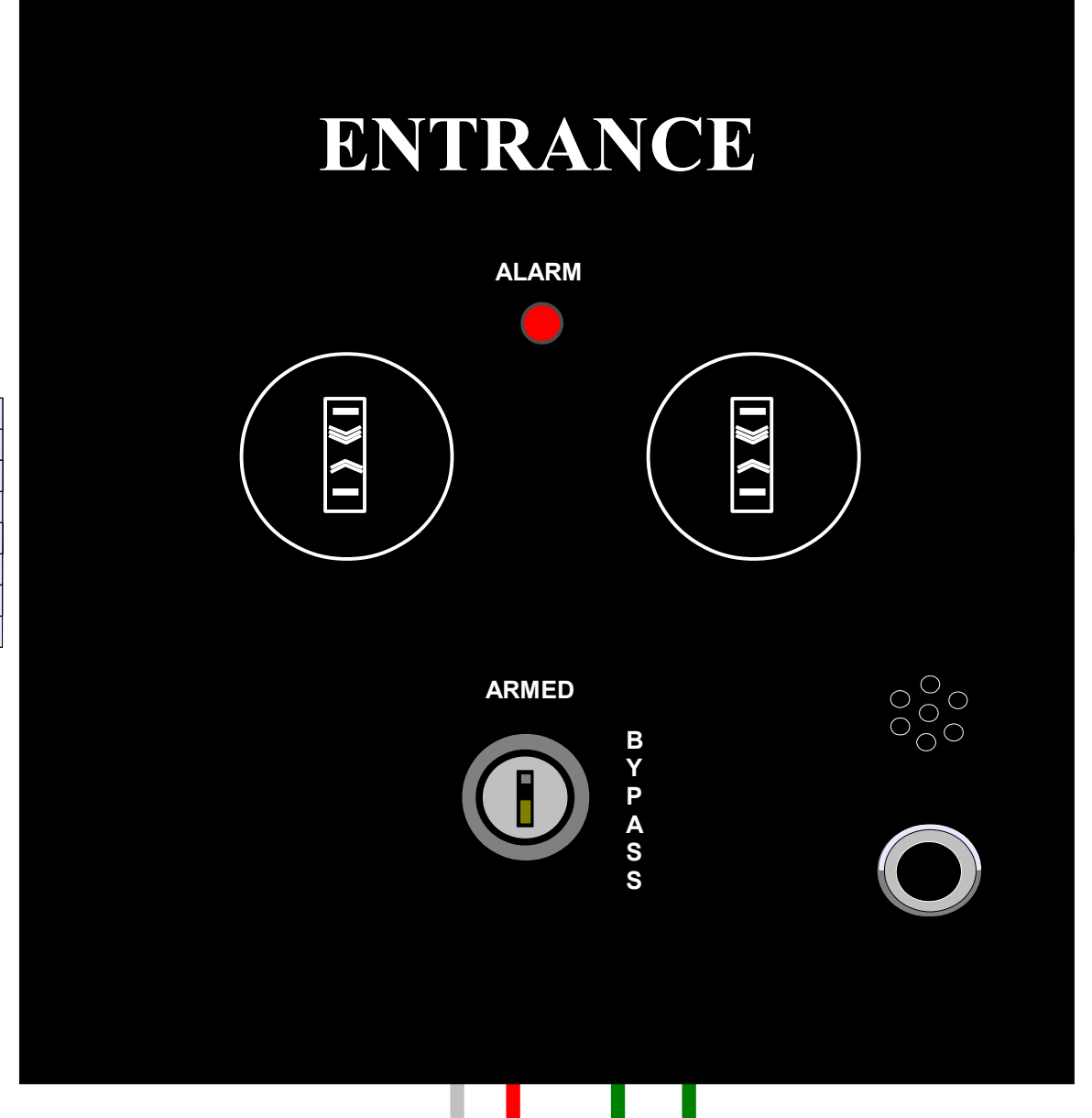


# ES860-N0

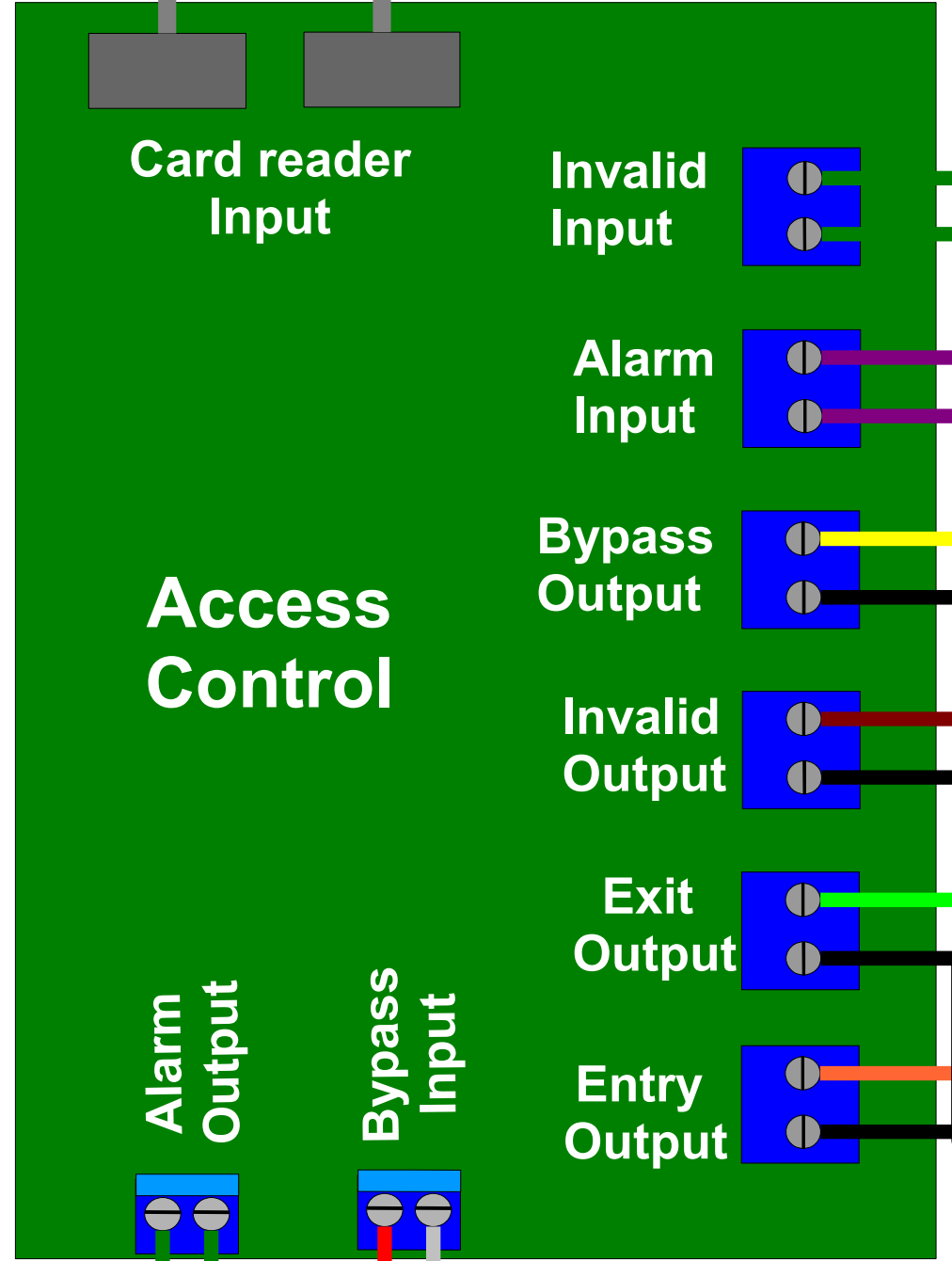
Card In / Card Out



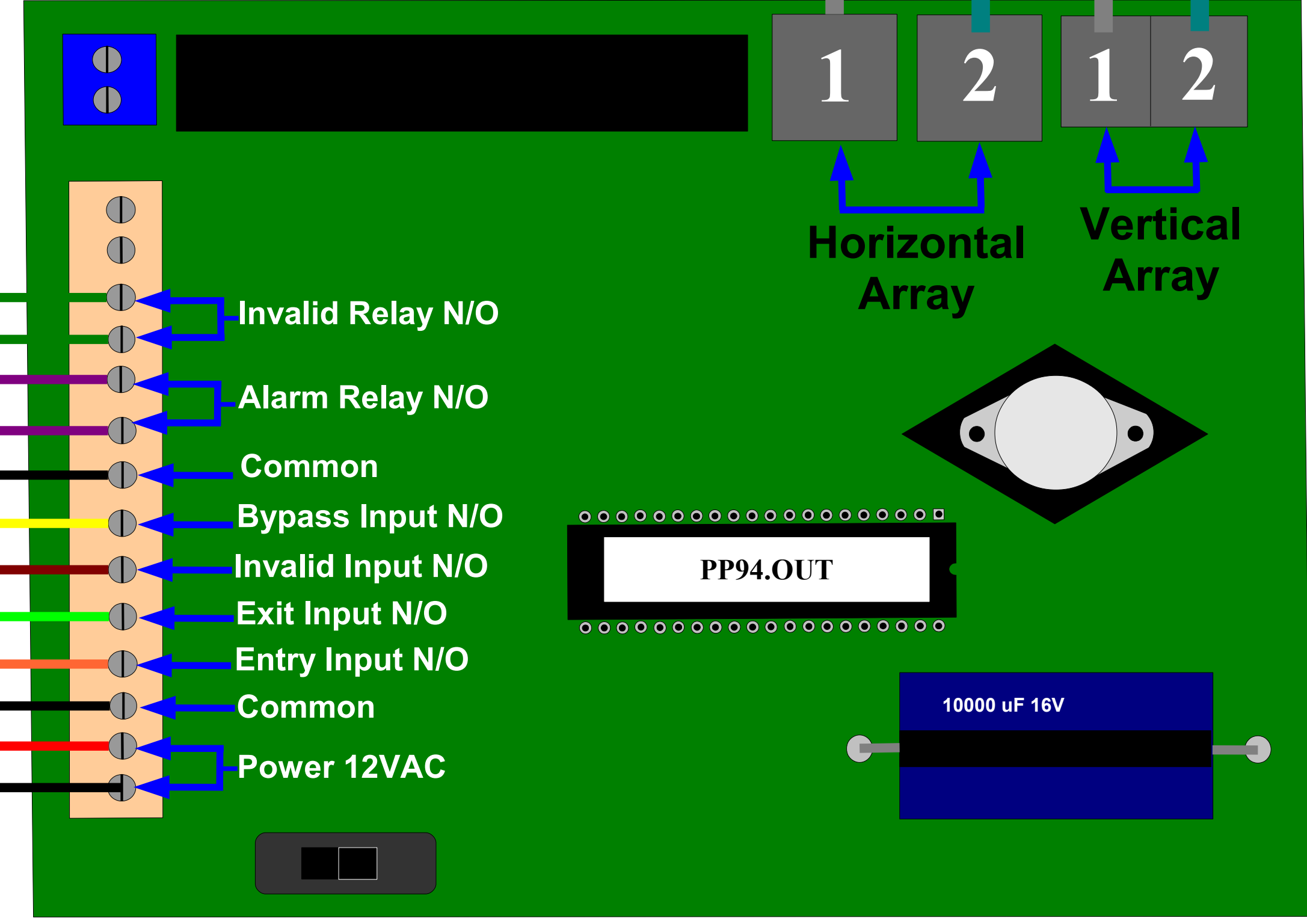
ES860 Desktop Controller (Top View)



12 VDC  
150mA  
Power Supply  
*Sold Separately*



12 VAC  
6 Amp  
Power Supply  
*Sold Separately*



**Note:** Wire Gauge:  
22 AWG = Signal wires  
18 AWG = Power wires  
(Power runs 25-45 feet use 16 AWG)



**Specifications:**  
Power: 12VAC at (6000ma)  
Output Relays: N/O contact 500ma at 30 VDC  
Piezo: 80 db Max @ 3 feet