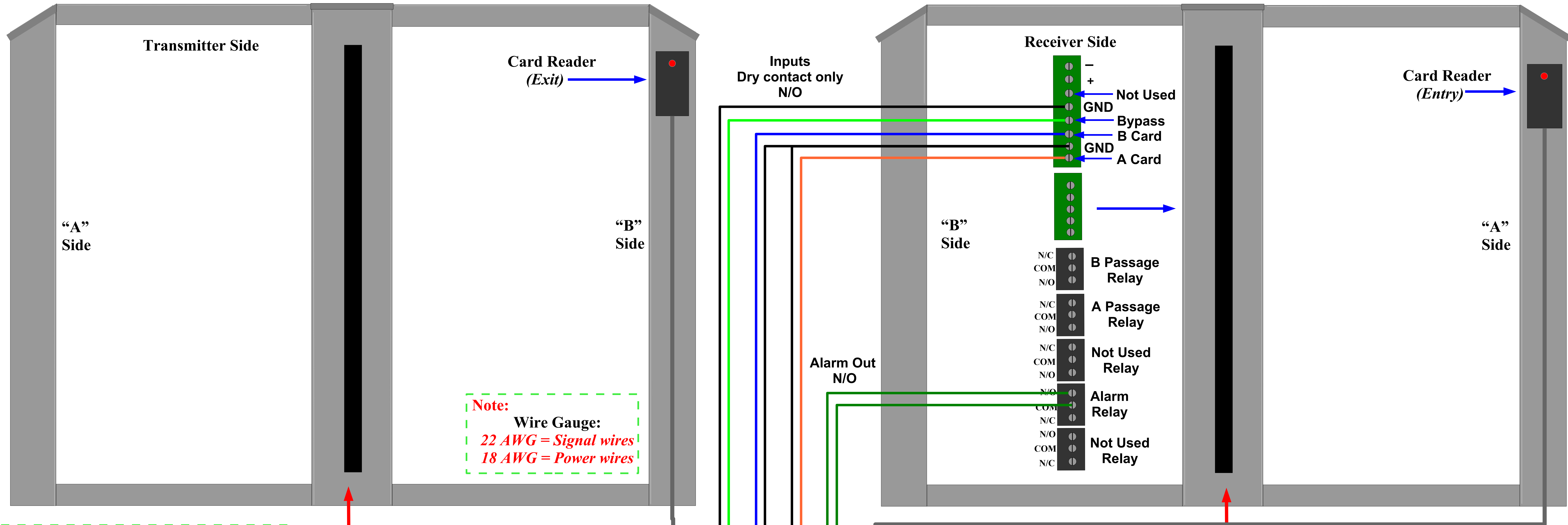


# ES8100-N0

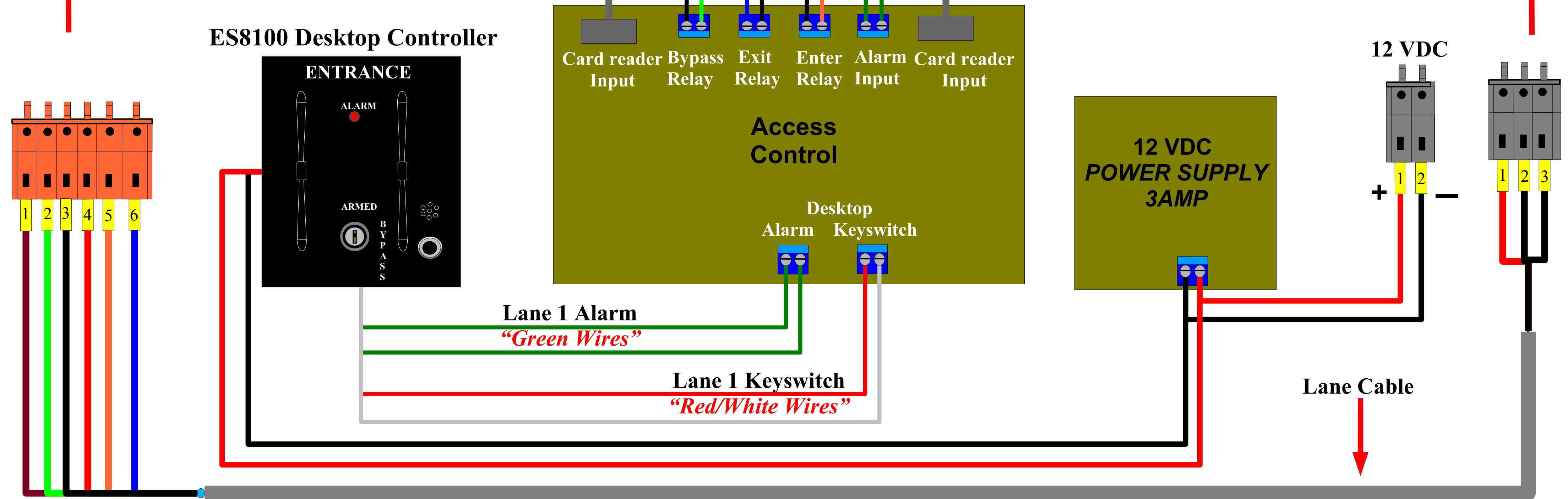
*Card In / Card Out*



**Note:**  
Wire Gauge:  
22 AWG = Signal wires  
18 AWG = Power wires

**Desktop Specifications:**  
Power: 12VDC at (150ma)  
Input: N/C dry contact  
Output: Key switch status. "Form C" dry contact  
Output: Global alarm relay. "N/O" dry contact  
Horn Volume: 70 db

**Note:ES8100**  
Lane Cables: Provided by DSI  
6 Conductor 22AWG



**Note:** Wire Gauge:  
22 AWG = Signal wires  
18 AWG = Power wires  
(Power runs 60-90 feet use 16 AWG)

**Specifications:**  
Power: 12VDC  
Output Relays: N/C or N/O contact  
1000ma at 30 VDC  
Piezo: 80 db Max @ 3 feet