

INSTALLATION INSTRUCTIONS TRACK RAIL APPLICATION

CLOSER MOUNTED ON PULL SIDE OF DOOR WITH TRACK RAIL ON FRAME

RIGHT HAND DOOR ILLUSTRATED. SAME DIMENSIONS APPLY FOR LEFT HAND DOOR — MEASURED FROM HINGE ϕ .

HOLD-OPEN DEVICE: 1, 2, 3
HOLD-OPEN ANGLE: 106°, 86°, 80°

2-# 12-24 MACHINE SCREW, #12 TAPPING SCREW OR ϕ 4.8 SELF DRILLING TAPPING SCREW

4-# 12-24 MACHINE SCREW, #12 TAPPING SCREW OR ϕ 4.8 SELF DRILLING TAPPING SCREW

INSTALLATION INSTRUCTIONS HEAVY DUTY PARALLEL ARM APPLICATION

CLOSER MOUNTED ON PUSH SIDE OF DOOR

LEFT HAND DOOR ILLUSTRATED. SAME DIMENSIONS APPLY FOR RIGHT HAND DOOR — MEASURED FROM HINGE ϕ .

4-1/4-20 L=1-1/2" COMBINATION MACHINE TAPPING SCREW OR ϕ 6 SELF DRILLING TAPPING SCREW

1/4-20 L=1-1/2" MACHINE SCREW, 1/4" L=2" TAPPING SCREW OR ϕ 6 SELF DRILLING TAPPING SCREW

4-# 12-24 L=2-1/4" MACHINE SCREW, #12 L=3-1/8" TAPPING SCREW OR ϕ 4.8 SELF DRILLING TAPPING SCREW

DIMENSION	HOLD-OPEN ANGLE FOR HOLD-OPEN MODELS	STOP ANGLE FOR WITH STOP MODELS	MAX. OPENING ANGLE FOR WITHOUT STOP MODELS
A B			
11-1/8" 10-1/4"	85°	85°	95° *NOTE
10-1/2" 9-5/8"	90°	90°	100° *NOTE
9-3/8" 8-1/2"	100°	100°	120° *NOTE
8-1/4" 7-3/8"	110°	110°	160° *NOTE
6-5/8" 5-3/4"	133°	133°	180° *NOTE

*NOTE: A SUPPLEMENTAL DOOR STOP IS ALWAYS RECOMMENDED FOR INSTALLATIONS NOT INCORPORATING A STOP IN THE CLOSER ARM. DAMAGE TO THE DOOR, FRAME AND CLOSER MAY OCCUR UNLESS STOP IS USED.

RYOBI DOOR CLOSER

D-4550 AND D-4551 INSTALLATION INSTRUCTIONS

SELECT PROPER APPLICATION FROM ILLUSTRATIONS BELOW. THEN FOLLOW INSTALLATION INSTRUCTIONS ON GIVEN PAGE.

STANDARD APPLICATION

CLOSER MOUNTED ON PULL SIDE OF DOOR USE PAGE 2

PARALLEL ARM APPLICATION

CLOSER MOUNTED ON PUSH SIDE OF DOOR USE PAGE 3 (EDA) USE PAGE 6 (EDA)

TOP JAMB APPLICATION

CLOSER MOUNTED ON FRAME ON PUSH SIDE OF DOOR USE PAGE 4

TRACK RAIL APPLICATION

CLOSER MOUNTED ON PULL SIDE OF DOOR WITH TRACK-RAIL ON FRAME USE PAGE 5

ADJUST SPRING POWER ACCORDING TO CHART (FOR STANDARD, PARALLEL ARM, AND TOP JAMB APPLICATIONS)

REFER TO PAGE 6 FOR TRACK RAIL APPLICATION

ADJUST SPRING POWER FOR DOOR WIDTH AS INDICATED IN CHART. TO INCREASE CLOSING POWER, TURN SPRING ADJUSTING NUT CLOCKWISE.

Closer size	Max. Door Width		Turns of Spring Adjusting Nut				Closing force (N=30°)
	Exterior	Interior	D-4550		D-4551		
1	Less than 2'6"	Less than 2'8"	-8	0	-2	0	5.1
2	2'6"	2'8"	-5	3	1	3	14.2
3	2'6"	3'2"	-3	5	6	8	22.7
4	3'0"	3'8"	0	8	14	16	38.5
5	3'6"	4'0"	3	11			56.5
6	4'0"	5'0"	6	14			75.3

SPRING ADJUSTING NUT

A ASSEMBLE MAIN ARM TO CLOSER 45° AWAY FROM DOOR AS ILLUSTRATED BELOW. ATTACH ARM WITH WASHER AND SCREW. ATTACH CLOSER TO DOOR WITH SHORT END OF CLOSER FACING TOWARD HINGE.

B INSERT SLIDER OF ARM INSIDE TRACK RAIL AS ILLUSTRATED BELOW.

C ASSEMBLE END CAPS ON BOTH ENDS OF TRACK RAIL. ATTACH TRACK RAIL ON FRAME WITH SCREW.

A 1. MARK LOCATIONS OF ATTACHING SCREWS ON DOOR AND FRAME AS SHOWN ABOVE.
2. ATTACH CLOSER TO DOOR PARALLEL BRACKET TO FRAME (SHORT END OF CLOSER TOWARD HINGE).

B ASSEMBLE MAIN ARM TO CLOSER WITH INDEX MARK ON END OF SPINDLE 45° FROM AXIS OF ARM, AS ILLUSTRATED BELOW, USING A WRENCH ON THE BOTTOM SPINDLE TO ROTATE SPINDLE INTO POSITION. ATTACH ARM TO SPINDLE WITH WASHER AND SCREW.

C MOUNT CLOSER ON DOOR AND MOUNT PARALLEL BRACKET TO FRAME STOP AS PER TEMPLATE.

D ADJUST AND REGULATE DOOR CLOSER AS DIRECTED ON PAGE 1 FOR SPEED, LATCHING ACTION, BACKCHECK, AND DELAYED ACTION.
CAUTION: BACKCHECK IS ESSENTIAL TO PREVENT ARM FROM STRIKING ARM STOP WITH IMPACT.

E INSTALL COVER AS FOLLOWS:
ALIGN COVER OPENINGS WITH THE CLOSER SPINDLE, AND SNAP ENDS OF COVER INTO POSITION OVER CLOSER.

FOR HOLD-OPEN ARM: A QUARTER TURN ON THE CONTROL HANDLE WILL ENGAGE OR DISENGAGE THE HOLD-OPEN FUNCTION.

FINAL ADJUSTMENT AND REGULATING PROCEDURES

REGULATING DOOR SPEED AND LATCHING SPEED

TURN SOCKET SCREW CLOCKWISE TO SLOW DOWN —OR COUNTER-CLOCKWISE TO SPEED UP DOOR MOVEMENT.

THIS VALVE CONTROLS LATCHING SPEED

ADJUSTING FOOT FOR ADDITIONAL CLOSING POWER

LESS POWER MORE POWER

STANDARD POSITION

THIS VALVE CONTROLS DOOR SPEED

D ADJUST AND REGULATE DOOR CLOSER AS DIRECTED AT PAGE 1.

E INSTALL COVER, AS FOLLOWS:
ALIGN COVER OPENINGS WITH THE CLOSER SPINDLE, AND SNAP ENDS OF COVER INTO POSITION OVER CLOSER.

INSERT IS REMOVABLE PLACE IN UNUSED OPENING

COVER

Closer size	Max. Door Width		Turns of Spring Adjusting Nut	
	Exterior	Interior	from Preset	from Minimum
1		less than 2' 8"	-3 Turns	0
2	less than 2' 6"	2' 8"	0	+3 Turns
3	2' 6"	3' 2"	+4 Turns	+7 Turns
4	3' 0"	3' 8"	+12 Turns	+19 Turns

* D-4550T: Identical closer can be used as Standard, Parallel Arm, and Top Jamb Application. Spring power is adjustable, as indicated in chart.

PAGE 5

REGULATING BACKCHECK

THE INTENSITY OF BACKCHECK ACTION IS REGULATED BY VALVE SHOWN. TURN CLOCKWISE TO INCREASE —OR COUNTERCLOCKWISE TO DECREASE CHECKING.
CAUTION: SET VALVE FOR A SLIGHT CUSHIONING EFFECT. IT IS DAMAGING TO THE CLOSER IF THE CHECKING ACTION IS TOO ABRUPT. BACKCHECK SHOULD NEVER BE USED IN LIEU OF A DOOR STOP.

THIS VALVE CONTROLS BACKCHECK

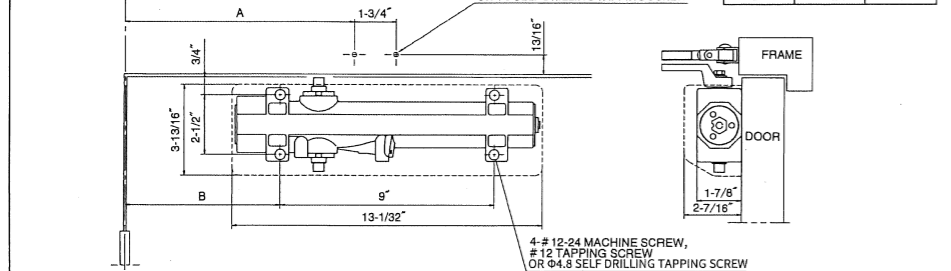
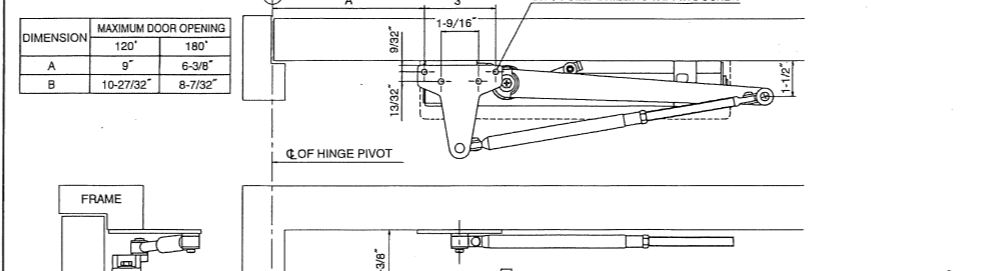
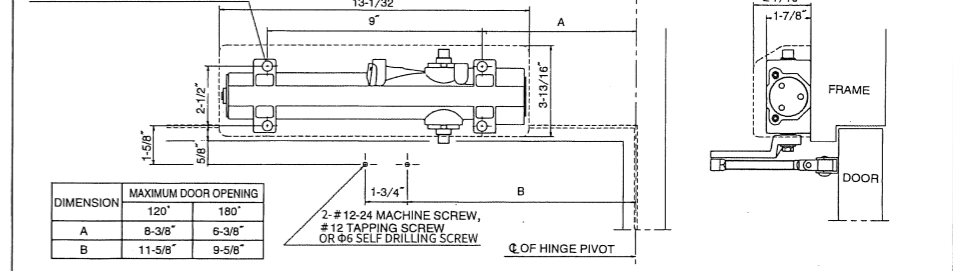
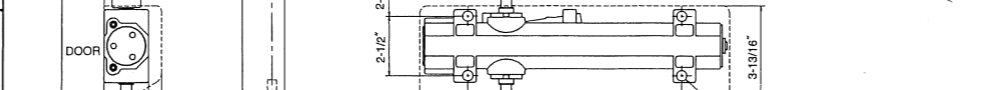
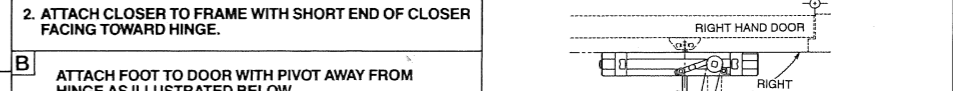
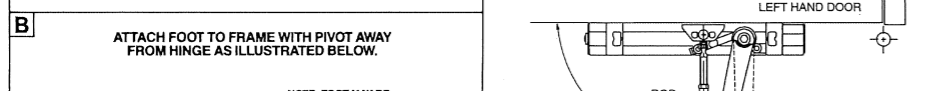
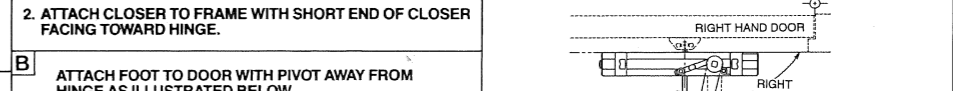
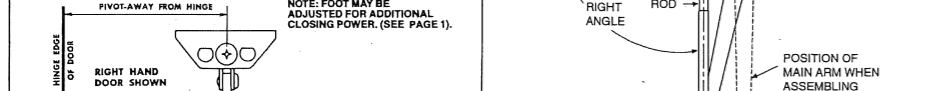

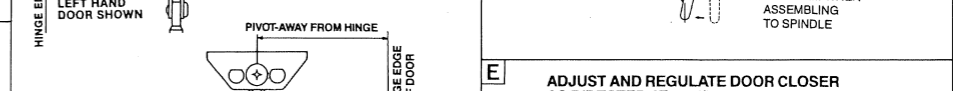
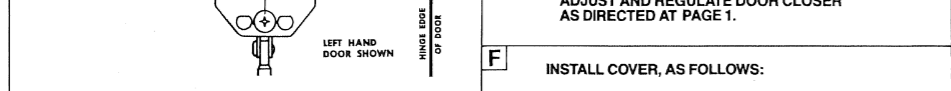
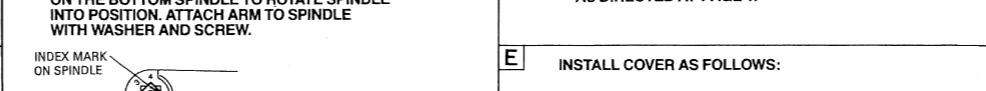
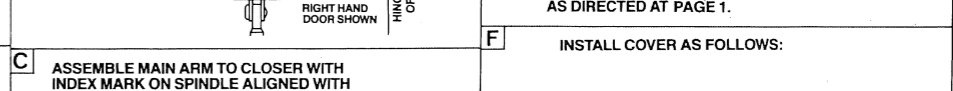



PAGE 6

FOR MODELS HAVING "DELAYED ACTION"

"DELAYED ACTION" IS OBTAINED BY OPENING DOOR INTO THE DELAYING RANGE, AS SHOWN. UPON RELEASE, THE DOOR TRAVELS SLOWLY THRU THE DELAYING RANGE THEN CONTINUES AT REGULAR SPEED IN THE NORMAL RELEASE RANGE UNTIL CLOSED. THE NORMAL RELEASE RANGE IS APPROXIMATELY 70°

THIS VALVE CONTROLS DELAYED ACTION. TURN SOCKET SCREW CLOCKWISE TO SLOW DOWN OR COUNTER-CLOCKWISE TO SPEED UP DOOR MOVEMENT.

PAGE 7

INSTALLATION INSTRUCTIONS	STANDARD APPLICATION	CLOSER MOUNTED ON PULL SIDE OF DOOR	INSTALLATION INSTRUCTIONS	PARALLEL ARM APPLICATION	CLOSER MOUNTED ON STOP SIDE OF DOOR	INSTALLATION INSTRUCTIONS	TOP JAMB APPLICATION	CLOSER MOUNTED ON FRAME ON PUSH SIDE OF DOOR																																
<p>RIGHT HAND DOOR ILLUSTRATED. SAME DIMENSIONS APPLY FOR LEFT HAND DOOR—MEASURED FROM HINGE ϕ.</p>  <table border="1" data-bbox="786 577 994 640"> <thead> <tr> <th>DIMENSION</th> <th>MAXIMUM DOOR OPENING</th> </tr> </thead> <tbody> <tr> <td>A</td> <td>120" 180"</td> </tr> <tr> <td>B</td> <td>11-5/8" 9-5/8"</td> </tr> </tbody> </table> <p>2-# 12-24 MACHINE SCREW, #12 TAPPING SCREW OR $\phi 4.8$ SELF DRILLING TAPPING SCREW</p> <p>4-# 12-24 MACHINE SCREW, #12 TAPPING SCREW OR $\phi 4.8$ SELF DRILLING TAPPING SCREW</p>	DIMENSION	MAXIMUM DOOR OPENING	A	120" 180"	B	11-5/8" 9-5/8"	<p>LEFT HAND DOOR ILLUSTRATED. SAME DIMENSIONS APPLY FOR RIGHT HAND DOOR—MEASURED FROM HINGE ϕ.</p>  <table border="1" data-bbox="1023 661 1231 724"> <thead> <tr> <th>DIMENSION</th> <th>MAXIMUM DOOR OPENING</th> </tr> </thead> <tbody> <tr> <td>A</td> <td>120" 180"</td> </tr> <tr> <td>B</td> <td>10-27/32" 8-7/32"</td> </tr> </tbody> </table> <p>4-# 12-24 MACHINE SCREW, #12 TAPPING SCREW OR $\phi 4.8$ SELF DRILLING TAPPING SCREW</p>	DIMENSION	MAXIMUM DOOR OPENING	A	120" 180"	B	10-27/32" 8-7/32"	<p>RIGHT HAND DOOR ILLUSTRATED. SAME DIMENSIONS APPLY FOR LEFT HAND DOOR—MEASURED FROM HINGE ϕ.</p>  <table border="1" data-bbox="1973 808 2181 871"> <thead> <tr> <th>DIMENSION</th> <th>MAXIMUM DOOR OPENING</th> </tr> </thead> <tbody> <tr> <td>A</td> <td>120" 180"</td> </tr> <tr> <td>B</td> <td>8-3/8" 6-3/8"</td> </tr> </tbody> </table> <p>4-# 12-24 MACHINE SCREW, #12 TAPPING SCREW OR $\phi 4.8$ SELF DRILLING TAPPING SCREW</p> <p>2-# 12-24 MACHINE SCREW, #12 TAPPING SCREW OR $\phi 6$ SELF DRILLING SCREW</p>	DIMENSION	MAXIMUM DOOR OPENING	A	120" 180"	B	8-3/8" 6-3/8"	<p>A 1. MARK LOCATION OF ATTACHING SCREWS ON DOOR AND FRAME AS SHOWN ABOVE.</p> <p>2. ATTACH CLOSER TO DOOR WITH SHORT END OF CLOSER FACING TOWARD HINGE.</p>	<p>D TIGHTEN LOCKNUT SECURELY WHEN ROD IS AT RIGHT ANGLE TO DOOR. SEE ILLUSTRATION BELOW.</p> 	<p>A 1. MARK LOCATION OF ATTACHING SCREWS ON DOOR AND FRAME AS SHOWN ABOVE.</p> <p>2. ATTACH CLOSER TO FRAME WITH SHORT END OF CLOSER FACING TOWARD HINGE.</p>	<p>A 1. MARK LOCATIONS OF ATTACHING SCREWS ON DOOR AND FRAME AS SHOWN ABOVE.</p> <p>2. ATTACH CLOSER TO DOOR AND PARALLEL BRACKET TO FRAME (SHORT END OF CLOSER TOWARD HINGE).</p>	<p>D TIGHTEN LOCKNUT SECURELY WHEN ROD IS AT RIGHT ANGLE TO FRAME. SEE ILLUSTRATIONS BELOW.</p> 	<p>B ATTACH FOOT TO FRAME WITH PIVOT AWAY FROM HINGE AS ILLUSTRATED BELOW.</p>  <p>NOTE: FOOT MAY BE ADJUSTED FOR ADDITIONAL CLOSING POWER. (SEE PAGE 1).</p>	<p>C IF FOOT ASSEMBLY SHOWN ON PAGE 2 IS PACKED WITH CLOSER, CONVERT TO FOOT BRACKET ASSEMBLY SHOWN ABOVE AS FOLLOWS: REMOVE ROD ASSEMBLY FROM FOOT AND ATTACH ROD TO PARALLEL BRACKET USING WASHER AND SCREW SHOWN. TIGHTEN LOCKNUT SECURELY WHEN END OF MAIN ARM IS POSITIONED 1-1/2" AWAY FROM DOOR.</p>	<p>B ATTACH FOOT TO DOOR WITH PIVOT AWAY FROM HINGE AS ILLUSTRATED BELOW.</p>  <p>NOTE: FOOT MAY BE ADJUSTED FOR CLOSING POWER. (SEE PAGE 1).</p>	<p>C ASSEMBLE MAIN ARM TO CLOSER WITH INDEX MARK ON SPINDLE 45° FROM AXIS OF ARM, AS ILLUSTRATED BELOW. ATTACH ARM WITH WASHER AND SCREW.</p> 	<p>E ADJUST AND REGULATE DOOR CLOSER AS DIRECTED AT PAGE 1.</p>	<p>E ADJUST AND REGULATE DOOR CLOSER AS DIRECTED AT PAGE 1.</p>	<p>F INSTALL COVER, AS FOLLOWS:</p>  <p>ALIGN COVER OPENINGS WITH THE CLOSER SPINDLE, AND SNAP ENDS OF COVER INTO POSITION OVER CLOSER</p> <p>INSERT IS REMOVABLE PLACE IN UNUSED OPENING</p>	<p>D ADJUST AND REGULATE DOOR CLOSER AS DIRECTED AT PAGE 1.</p>	<p>F INSTALL COVER AS FOLLOWS:</p>  <p>ALIGN COVER OPENINGS WITH THE CLOSER SPINDLE, AND SNAP ENDS OF COVER INTO POSITION OVER CLOSER</p> <p>INSERT IS REMOVABLE PLACE IN UNUSED OPENING</p>	<p>E ASSEMBLE MAIN ARM TO CLOSER WITH INDEX MARK ON SPINDLE ALIGNED WITH AXIS OF ARM AS ILLUSTRATED BELOW. ATTACH ARM WITH WASHER AND SCREW.</p> 	<p>E INSTALL COVER AS FOLLOWS:</p>  <p>ALIGN COVER OPENINGS WITH THE CLOSER SPINDLE, AND SNAP ENDS OF COVER INTO POSITION OVER CLOSER</p> <p>INSERT IS REMOVABLE PLACE IN UNUSED OPENING</p>	<p>C ASSEMBLE MAIN ARM TO CLOSER WITH INDEX MARK ON SPINDLE ALIGNED WITH AXIS OF ARM AS ILLUSTRATED BELOW. ATTACH ARM WITH WASHER AND SCREW.</p>  <p>VIEW LOOKING UP WHEN ASSEMBLING ARM TO SPINDLE</p>	<p>F INSTALL COVER, AS FOLLOWS:</p>  <p>ALIGN COVER OPENINGS WITH THE CLOSER SPINDLE, AND SNAP ENDS OF COVER INTO POSITION OVER CLOSER</p> <p>INSERT IS REMOVABLE PLACE IN UNUSED OPENING</p>	<p>F INSTALL COVER AS FOLLOWS:</p>  <p>ALIGN COVER OPENINGS WITH THE CLOSER SPINDLE, AND SNAP ENDS OF COVER INTO POSITION OVER CLOSER</p> <p>INSERT IS REMOVABLE PLACE IN UNUSED OPENING</p>	<p>F INSTALL COVER AS FOLLOWS:</p>  <p>ALIGN COVER OPENINGS WITH THE CLOSER SPINDLE, AND SNAP ENDS OF COVER INTO POSITION OVER CLOSER</p> <p>INSERT IS REMOVABLE PLACE IN UNUSED OPENING</p>
DIMENSION	MAXIMUM DOOR OPENING																																							
A	120" 180"																																							
B	11-5/8" 9-5/8"																																							
DIMENSION	MAXIMUM DOOR OPENING																																							
A	120" 180"																																							
B	10-27/32" 8-7/32"																																							
DIMENSION	MAXIMUM DOOR OPENING																																							
A	120" 180"																																							
B	8-3/8" 6-3/8"																																							
<p>PAGE 2</p>	<p>PAGE 3</p>	<p>PAGE 4</p>																																						