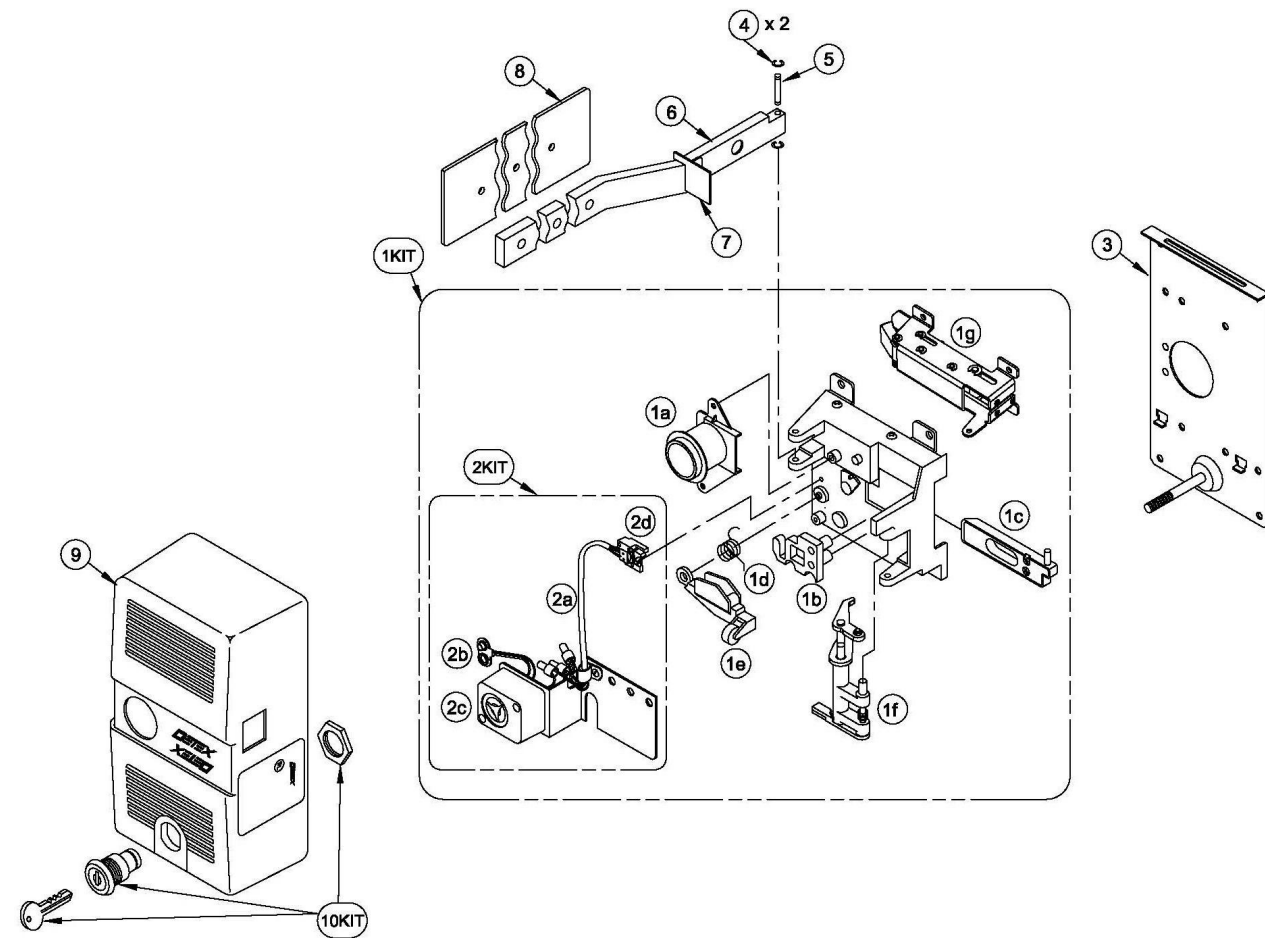




# ECL-600 Parts List



Item	Order Part#	Description	Price
1KIT	100059	Mechanism Assembly (includes 1a-1f & 2kit)	\$481.00
1a	ECL-1576-15	Cam Bridge Assembly	\$19.95
1b	ECL-285A	Cam Plate Bottom	\$6.30
1c	ECL-306-1	Bolt Assembly	\$34.00
1d	ECL-284	Detent Spring	\$2.29
1e	ECL-293A	Dentent Lever & Assembly	\$8.40
1f	100062	Actuator & Release Lever Kit	\$69.00
1g	100060	Relatch Assembly	\$165.00
2KIT	100069	Siren Switch Assembly (includes 2a-2d)	\$49.00
2a	ECL-204	Switch Assembly	\$15.75
2b	100331	9V Battery Connector	\$2.04
2c	PP-5090-1	Retaining Ring	\$0.27
2d	101796	Holder-Switch Actuator Replacement kit	\$15.75
3	100098	Backplate	\$24.00
4	PP-5090-1	Retaining Ring	\$0.27
5	ECL-236	Bar Pin	\$1.15
6	ECL-2105	Paddle Bar, Long	\$55.00
7	ECL-419	Bar Shield	\$0.57
8	ECL-2109	Paddle Bar Plate, Long	\$36.00
9	100065	Cover	\$83.00
10KIT	PP-5572	Lockset with 2 keys (includes 10a) (select key number 11 thru 20)	\$15.00
10a	ECL-405	Key (select key number 11 thru 20)	\$6.00
10b	ECL-405-KIT	Set of all keys (includes key numbers 11 thru 20)	\$24.00

NOTE: Your particular part or configuration may not be shown: Contact Detex technical support at 800-729-3839 (option 2)

March 8, 2023

