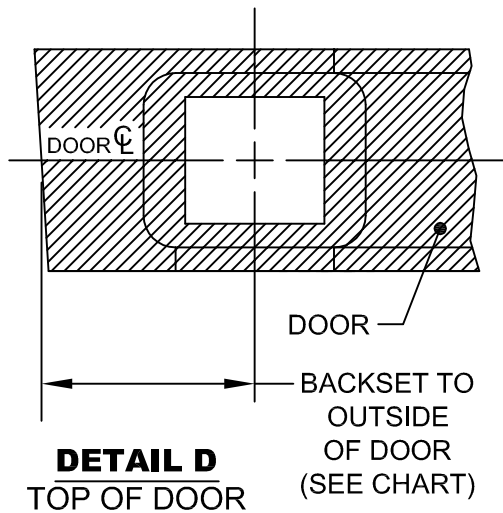
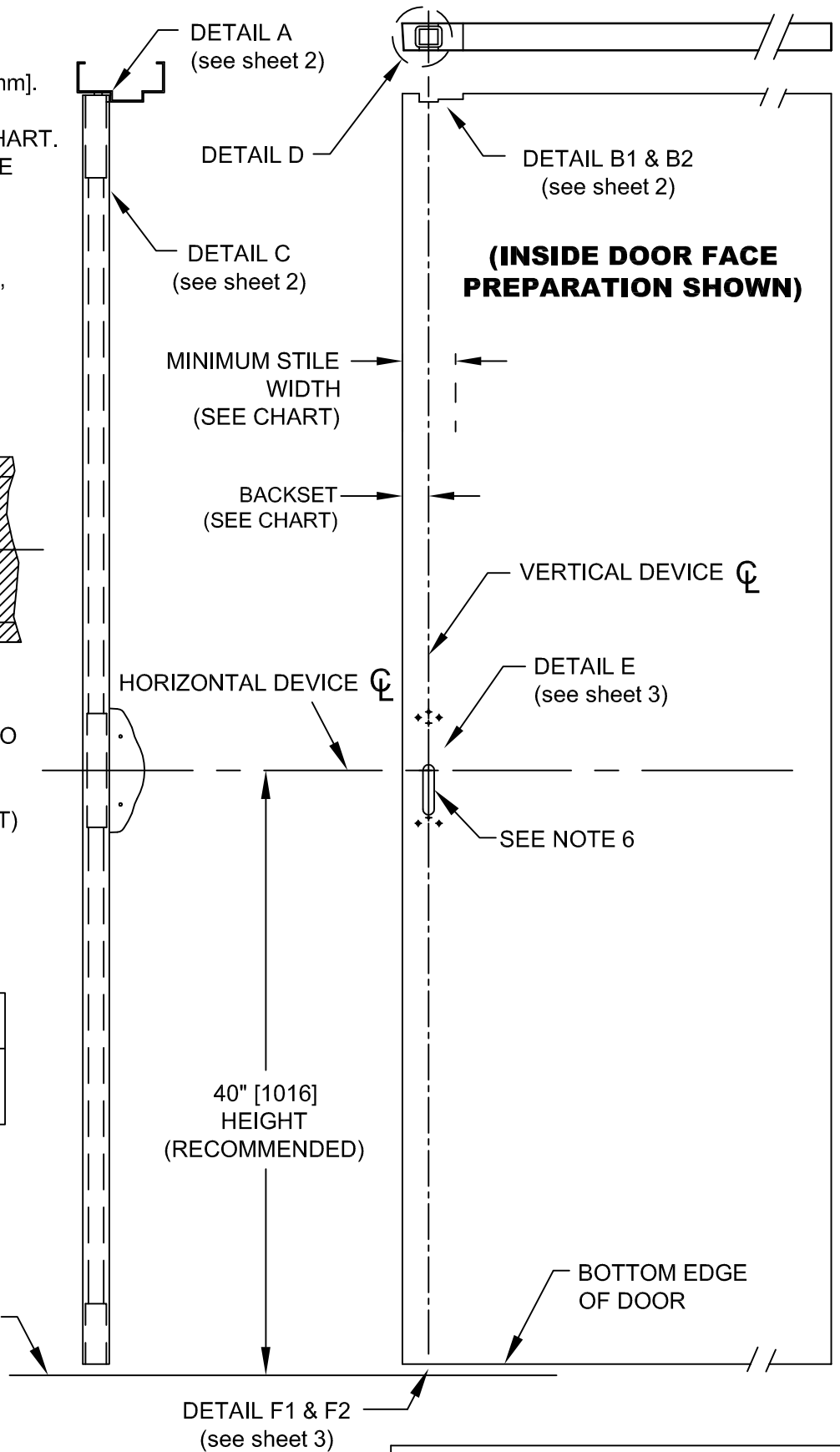


NOTES:

1. DO NOT SCALE DRAWING.
2. DIMENSIONS ARE IN INCHES [mm].
3. LHR DOOR SHOWN.
4. MINIMUM STILE WIDTH: SEE CHART.
5. IF REQUIRED: THRU-BOLT HOLE SIZE
9/32" INTERIOR DOOR FACE
3/8" EXTERIOR DOOR FACE
6. IF OUTSIDE TRIM IS REQUIRED, REFER
TO OUTSIDE TRIM TEMPLATE.



BACKSET	MINIMUM STILE
2-1/4" (57.2)	4-1/2 (114)



HDG. _____ DR. _____ SHEET 1 OF 4

RESPONSIBILITY

Door and Frame Manufacturers are responsible for providing adequate construction or reinforcements for proper installation of hardware shown. All architectural builders hardware must be installed on properly reinforced doors and frames regardless of the type, material or method of construction.

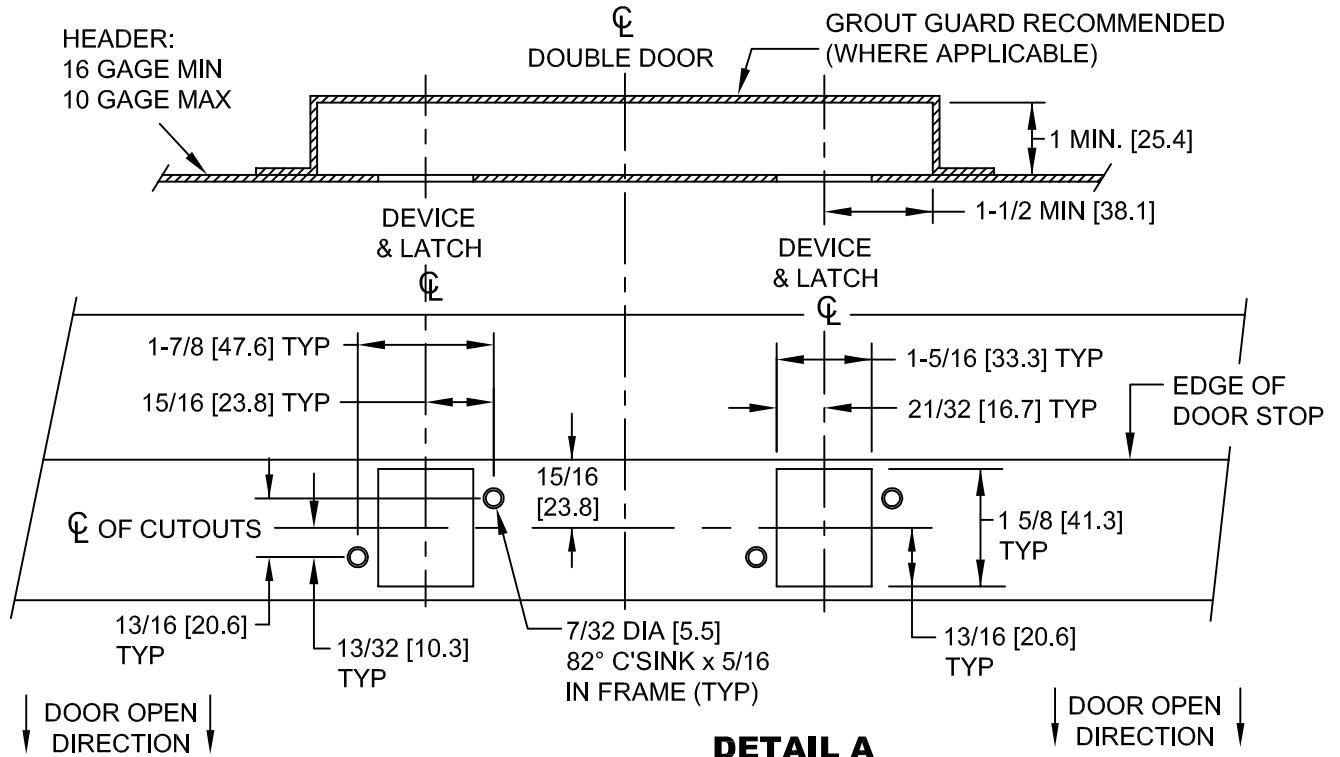
TEMPLATE
WOOD DOOR
70 TOP & BOTTOM LATCHING
CONCEALED VERTICAL ROD
EXIT DEVICE

DETEx[®]

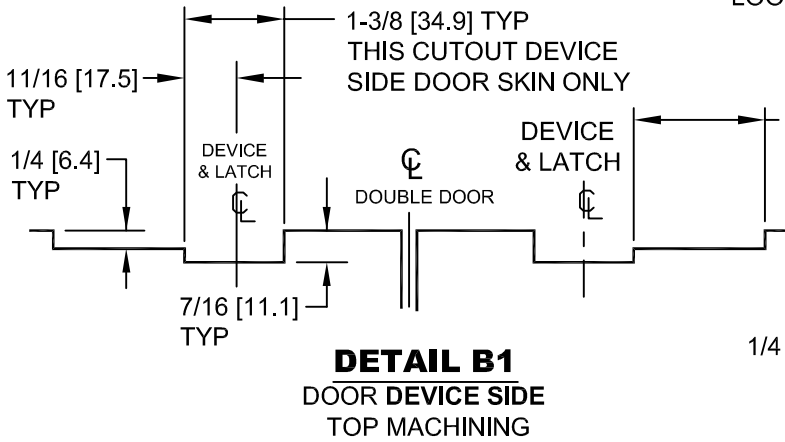
DO NOT SCALE DRAWING

DATE 12-8-16

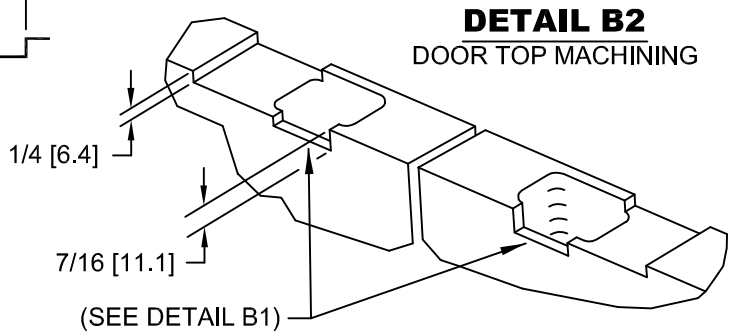
TEMPLATE NUMBER T2330



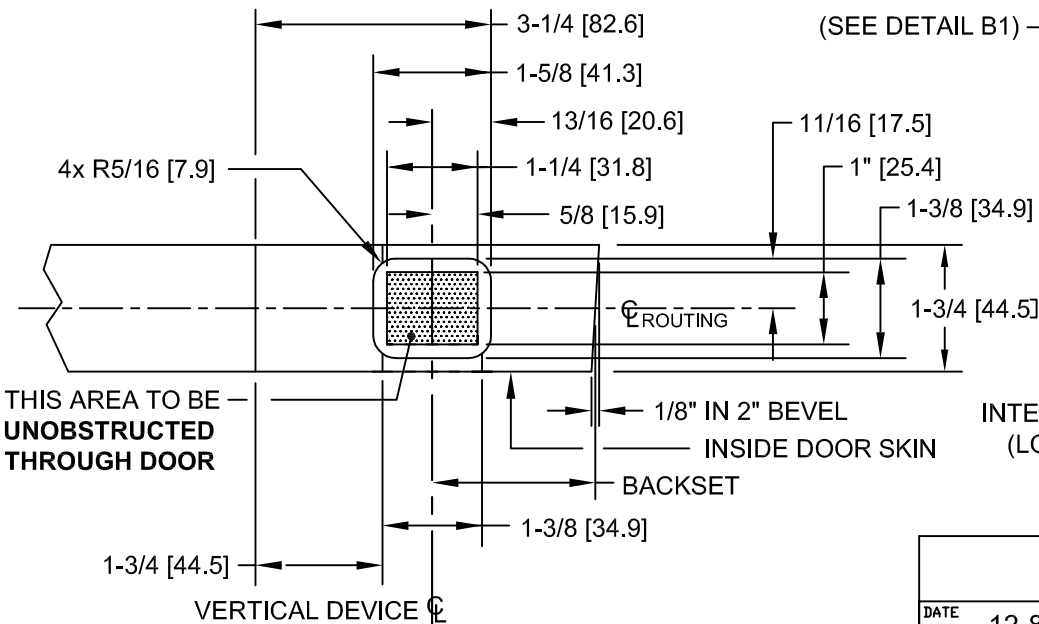
DETAIL A
TOP FRAME STRIKE PREP
LOOKING UP AT HEADER



DETAIL B1
DOOR DEVICE SIDE
TOP MACHINING



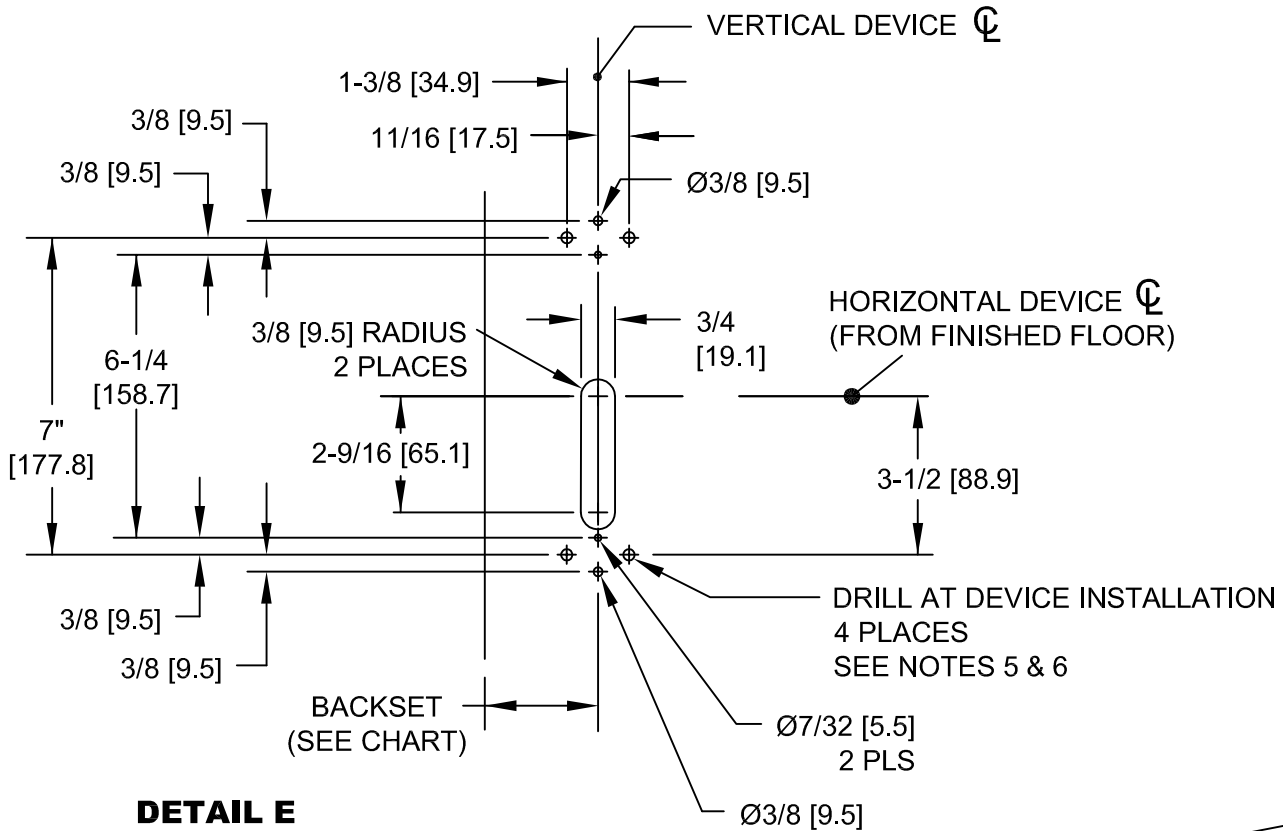
DETAIL B2
DOOR TOP MACHINING



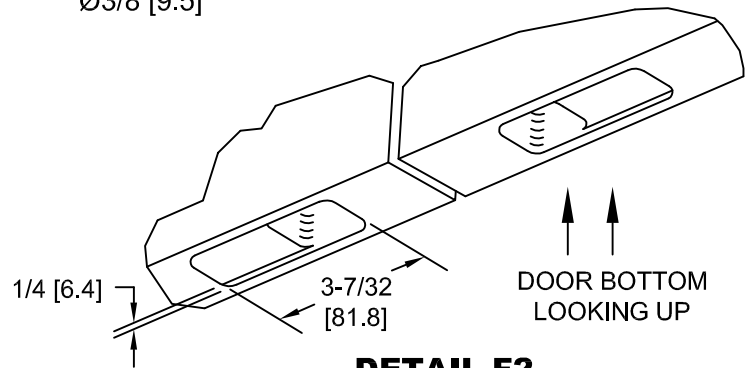
DETAIL C
INTERNAL MECHANISM CLEARANCE
(LOOKING FROM TOP OF DOOR)

THIS AREA TO BE
UNOBSTRUCTED
THROUGH DOOR

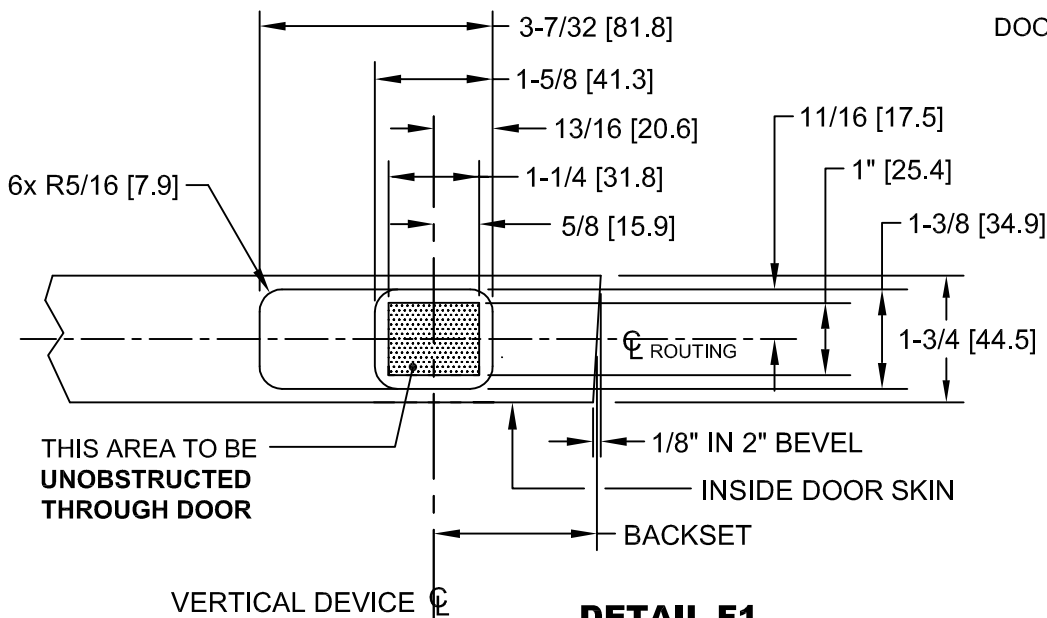
TEMPLATE - 70 DEVICE		
SHEET 2 OF 4		
DATE	12-8-16	TEMPLATE NUMBER T2330



DETAIL E
 DEVICE SIDE MACHINING
 (INSIDE DOOR FACE ONLY)

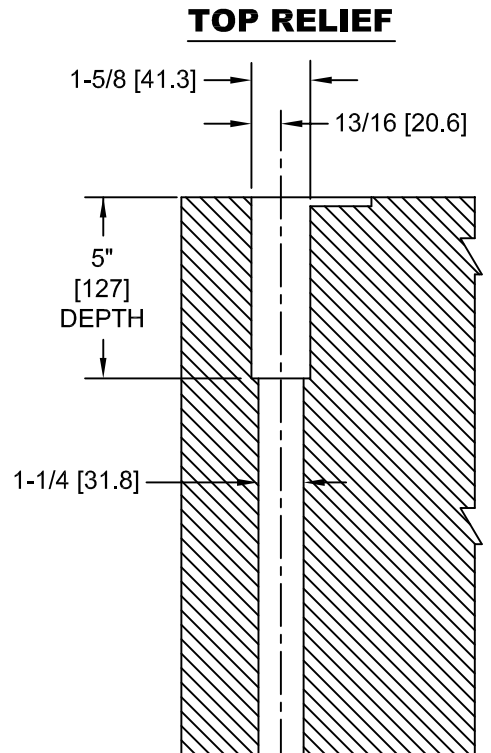
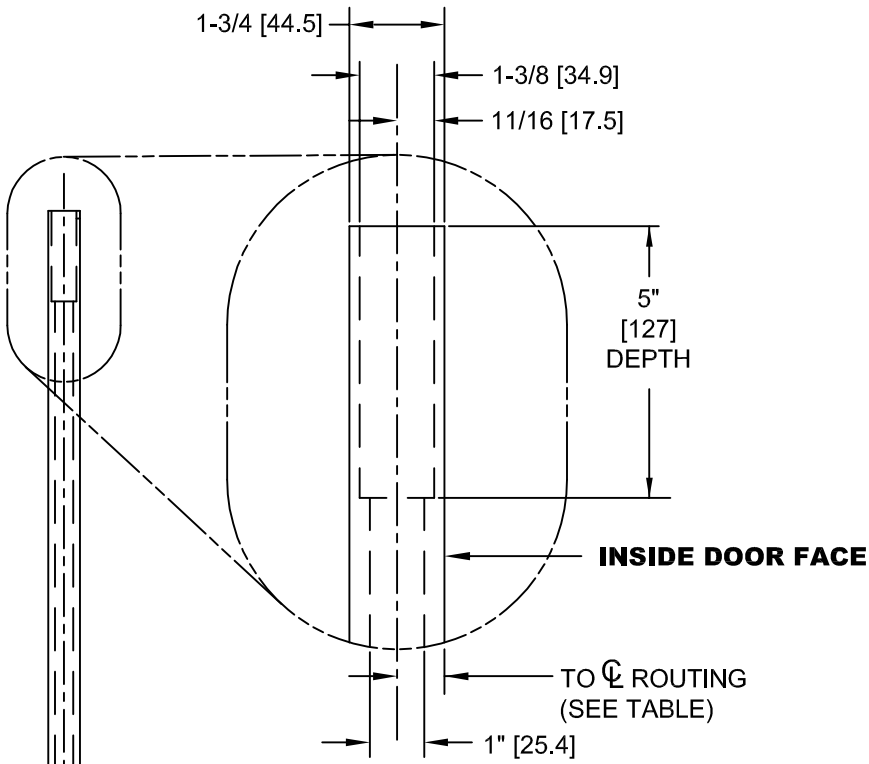


DETAIL F2
 DOOR BOTTOM MACHINING



DETAIL F1
 INTERNAL MECHANISM CLEARANCE
 (LOOKING FROM BOTTOM OF DOOR)

TEMPLATE - 70 DEVICE	
SHEET 3 OF 4	
DATE	12-8-16
TEMPLATE NUMBER	T2330



DOOR THICKNESS	☉ ROUTING
1-3/4 [44.5]	7/8 [22.2]
2" [50.8] OR MORE	1" [25.4]

HORIZONTAL DEVICE ☉

