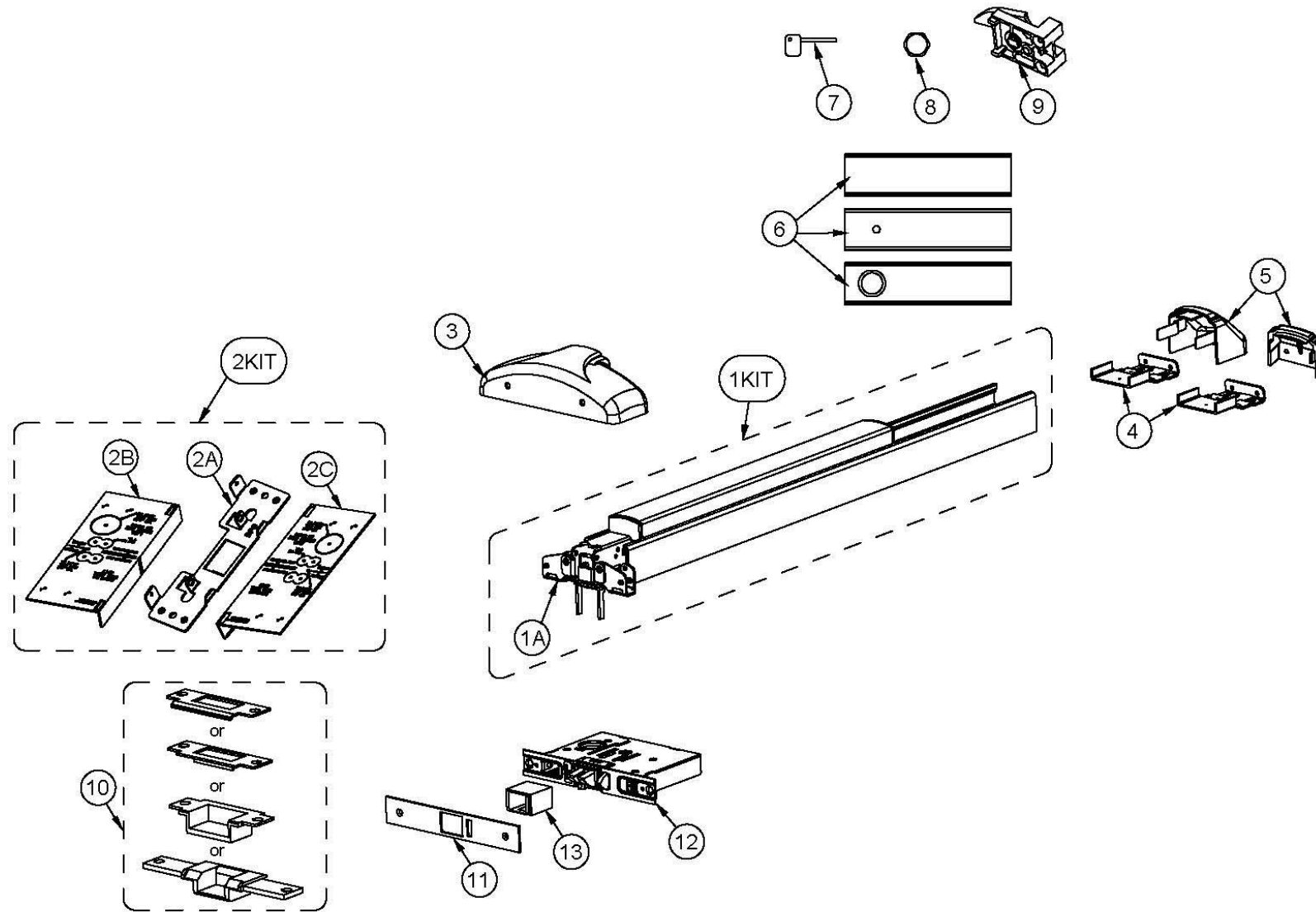


## 30 Series Parts List

For Mechanical Devices Only



Item	Order Part#	Description	Price
1KIT	105500-99	Centercase/Pushpad SubAssembly (includes 1A)	\$657.59
1A	100698-2	Centercase Assembly, Wide Stile	\$183.00
2KIT	103806-9	Mounting Plate/Strike Locator Kit, Mortise (includes 2A, 2B & 2C)	\$88.00
2A	103215	Mounting Plate, BP9	\$62.00
2B	103284	Template, RHR, Mortise	\$58.00
2C	103285	Template, LHR, Mortise	\$58.79
3	102353-1	Centercase Cover, Stainless Steel, Wide, 10 series, 630	\$385.00
	104601-1	Centercase Cover, Aluminum, Wide, 10 series, 628	\$90.00
4	100147	Endcap bracket for EC1 (ramped) endcap w/o battery holder	\$15.75
	101093	Endcap bracket for EC1 (ramped) endcap w/ battery holder	\$21.00
	104303	Endcap bracket for EC2 (flush) endcap w/o battery holder	\$41.00
	104636	Endcap bracket for EC2 (flush) endcap w/ battery holder	\$41.00
5	101642-9	Endcap, EC1 (ramped) Stainless Steel, 630	\$101.00
	104304-9	Endcap, EC2 (flush) Stainless Steel, 630	\$94.00
	104612-1	Endcap, EC2 (flush) Aluminum, 628	\$149.00
6	100408-9	Fillerplate, Subassembly, S&R, Less Dogging, LD, 10 series, 36"	\$51.00
	100194-9	Fillerplate, Subassembly, S&R, Hex Dogging, HD, 10 series, 36"	\$62.00
	100179-9	Fillerplate, Subassembly, S&R, Cylinder Dogging, CD, 10 series, 36"	\$81.00
7	100450	Hex Key (for Hex Dogging)	\$9.00
8	100783	Cylinder Nut (for Cylinder Dogging)	\$8.00
9	102216-2	Hex Dogging Assembly	\$26.00
	102216	Cylinder Dogging Assembly	\$19.95
10	103285-9	Strike Kit, ANSI, 630 (includes hardware)	\$47.00
	103294-9	Strike Kit, ANSI, flat lip, 630 (includes hardware)	\$47.00
	103286-9	Strike Kit, Double door, short open back, 630 (includes hardware)	\$134.00
	103289-9	Strike Kit, Double door, long open back, 630 (includes hardware)	\$134.00
11	103203-9	Front plate, 630	\$27.00
12	103320-1	Mortise lock, standard	\$722.00
	103280-2	Mortise lock, EE	\$1,105.00
13	103273	Latchbolt block	\$32.00

NOTE: Your particular part or configuration may not be shown: Contact Detex technical support at 800-729-3839 (option 2)