

Detex Corporation, 302 Detex Drive, New Braunfels, Texas 78130-3045
(830)629-2900 / 1-800-729-3839 / Fax (830)620-6711
E-MAIL: detex@detex.com INTERNET: www.detex.com

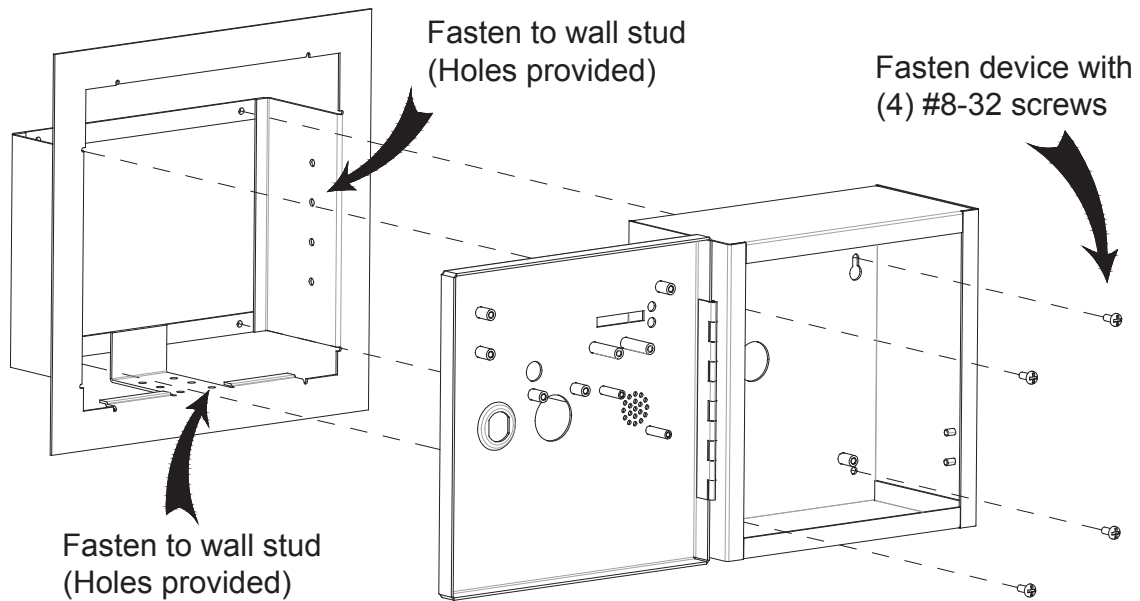
INSTALLATION INSTRUCTIONS FOR EAX-3500FK FLUSH MOUNT KIT



Safety glasses required for installation

WARNING: Be careful to avoid plumbing and electrical when cutting into wall.

1. Locate vertical stud.
2. Cut 8-1/2" x 8-1/2" square hole. Insure stud is located on left or right edge of hole.
3. Adding a horizontal stud may be required. Fasten flush mount kit per illustration.
4. Take caution with screw head size due to space limitations.



NOTE: Device components not shown for clarity

