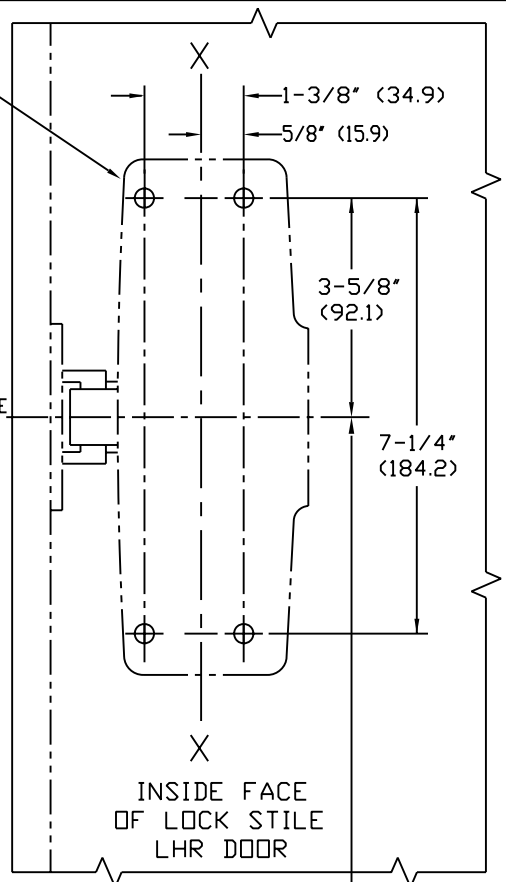


DRILL & TAP 1/4-20 THREADS
THRU THIS SIDE OF DOOR ONLY

OF DEVICE



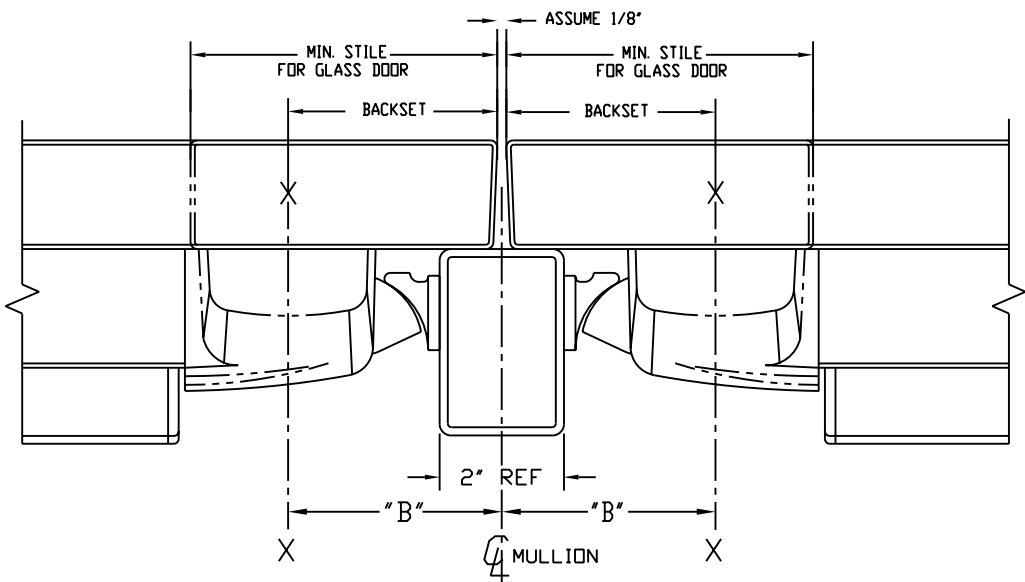
INSIDE FACE
OF LOCK STILE
LHR DOOR

(LHR SHOWN
RHR OPPOSITE)

40" (1016) HEIGHT
(RECOMMENDED)
37" (940) MIN. HEIGHT
TO FINISHED FLOOR

SINGLE DOOR INSTALLATION				
STRIKE	DIM. "B"	BACKSET	MIN. STILE GLASS DOOR	
99	2-7/16" (61.9)	2-15/16" (74.6)	4-1/2" (114.3)	SHOWN
98	2-1/32" (51.6)	2-17/32" (64.3)	4-1/8" (104.8)	NOT SHOWN *

- NOTES:
 1. DIMENSIONS SHOWN IN INCHES AND (mm).
 2. ASSUME 5/8" STOP.
 *3. FOR ALUMINUM DOORS WITH NO BLADE STOP,
 USE TEMPLATE T1107.



DOUBLE DOOR INSTALLATION WITH MULLION					
MULLION	STRIKE	DIM. "B"	BACKSET	MIN. STILE GLASS DOOR	
90KR & F90KR**	99	3-7/16" (87.3)	3-3/8" (85.7)	4-15/16" (125.4)	SHOWN
90KR & F90KR**	98	3-1/32" (77.0)	2-31/32" (75.4)	4-9/16" (115.9)	NOT SHOWN

**STRIKE HOOK HOLE LOCATION SHOULD BE FIELD PREPARED

HDG. _____ DR. _____

RESPONSIBILITY
 Door and Frame Manufacturers are responsible for providing adequate construction or reinforcements for proper installation of hardware shown. All architectural builders hardware must be installed on properly reinforced doors and frames regardless of the type, material or method of construction.

TEMPLATE
 METAL/ALUMINUM DOOR
 1001 & F1001 SERIES
 RIM EXIT DEVICE
 BP-5 MOUNTING PLATE

DETEX CORPORATION

DO NOT SCALE DRAWING

DATE	6/21/05	TEMPLATE NUMBER	T1022
------	---------	-----------------	-------