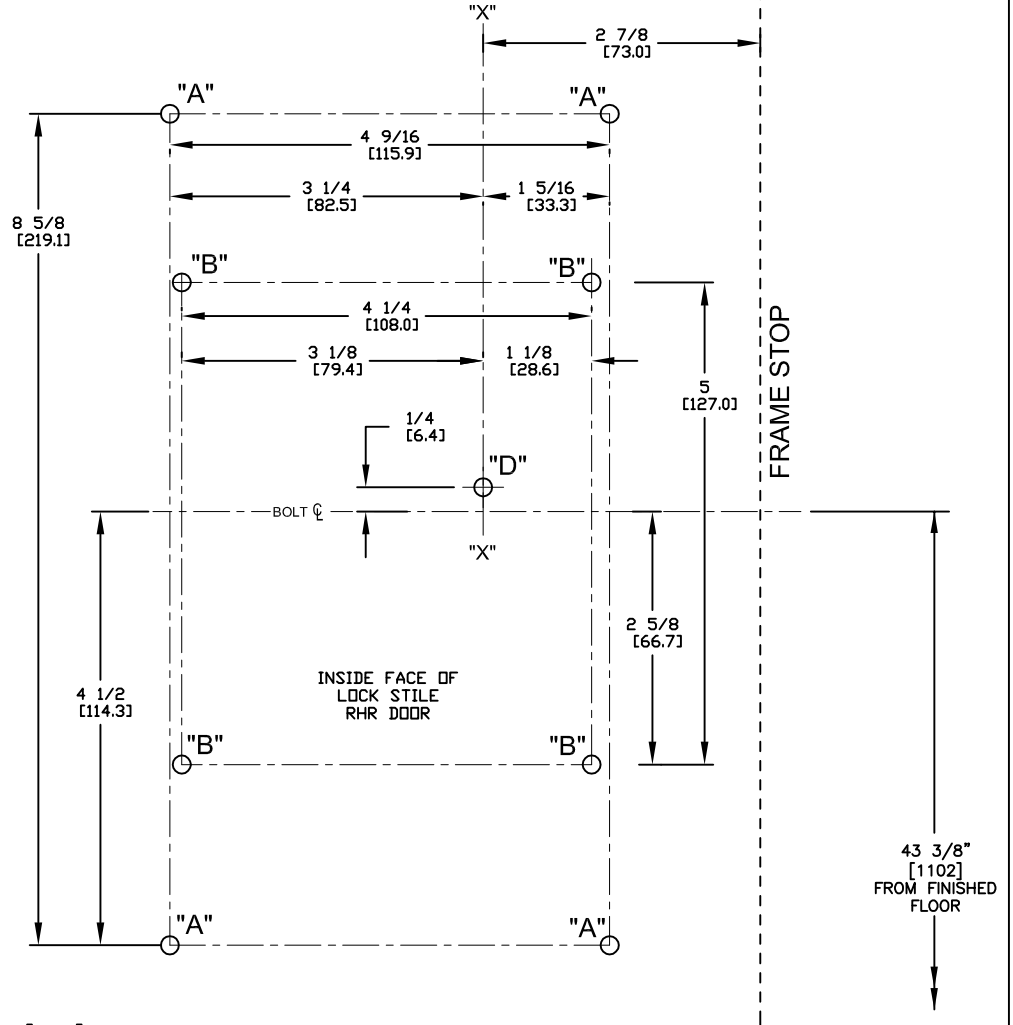
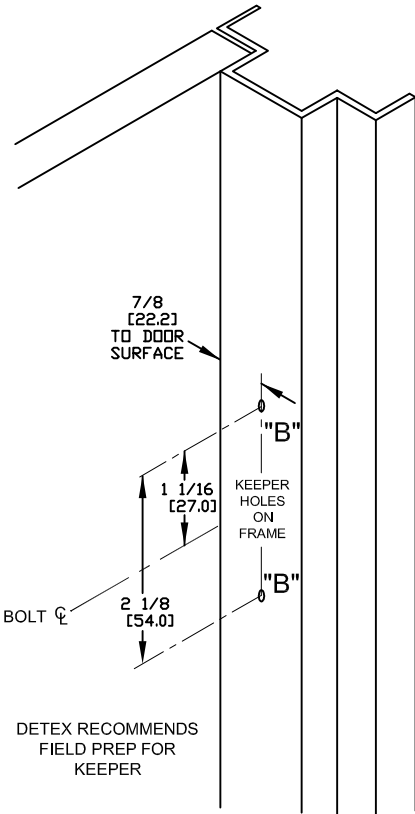
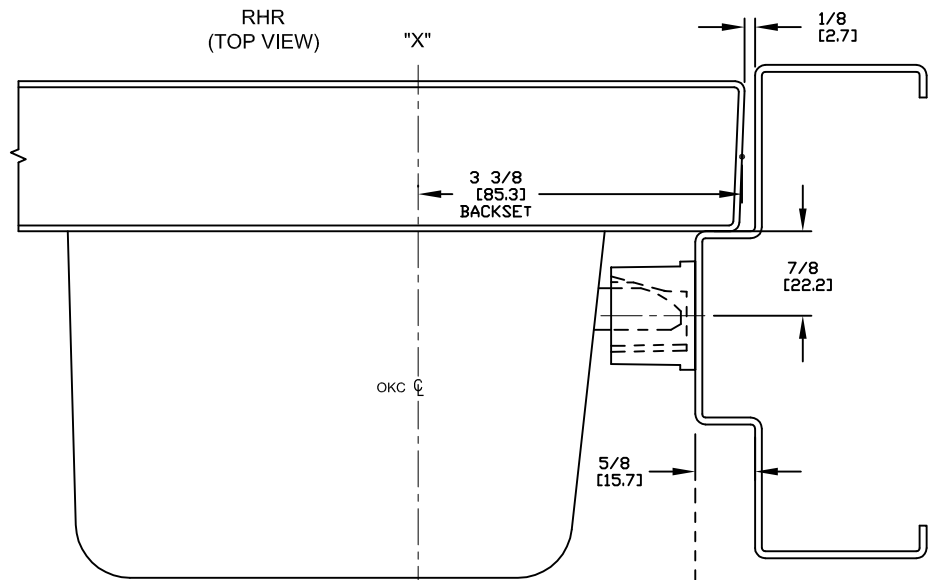


"A" = #18 DRILL (#12 SCREWS)
 "B" = #25 DRILL (#10 SCREWS)
 "D" = Ø1-1/4" THRU HOLE (OKC only)



- NOTES:
 1. DIMENSIONS SHOWN IN INCHES AND [mm].
 2. 5/8" STOP SHOWN.
 3. FOR LHR SEE TEMPLATE T2109.

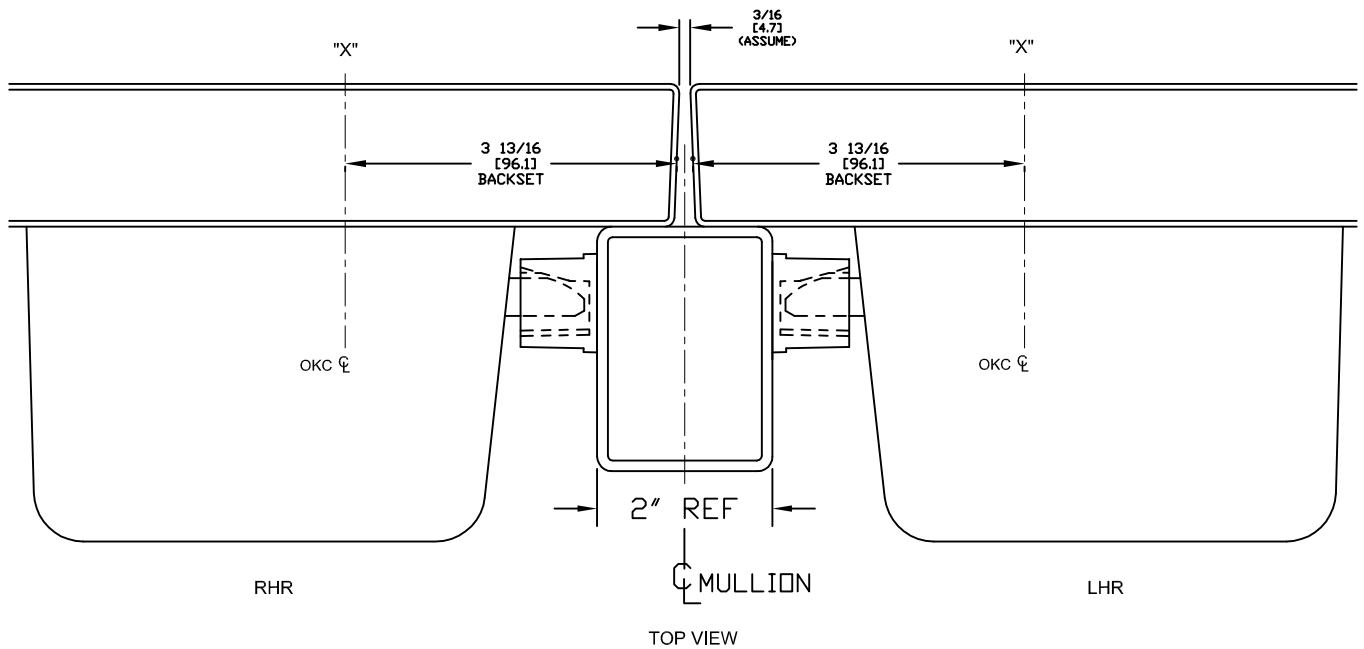
HDG. _____ DR. _____

RESPONSIBILITY
 Door and Frame Manufacturers are responsible for providing adequate construction or reinforcements for proper installation of hardware shown. All architectural builders hardware must be installed on properly reinforced doors and frames regardless of the type, material or method of construction.

TEMPLATE
 METAL DOOR
 ECL-230D, ECL-230D-PH
 RHR
 SURFACE STRIKE



DO NOT SCALE DRAWING
 DATE 6-12-17 TEMPLATE NUMBER T2110 page 1 of 2



HDG. _____ DR. _____

RESPONSIBILITY
 Door and Frame Manufacturers are responsible for providing adequate construction or reinforcements for proper installation of hardware shown. All architectural builders hardware must be installed on properly reinforced doors and frames regardless of the type, material or method of construction.

TEMPLATE
 METAL DOOR
 ECL-230D, ECL-230D-PH
 RHR
 SURFACE STRIKE



DO NOT SCALE DRAWING

DATE 6-12-17	TEMPLATE NUMBER T2110	page 2 of 2
-----------------	--------------------------	-------------