

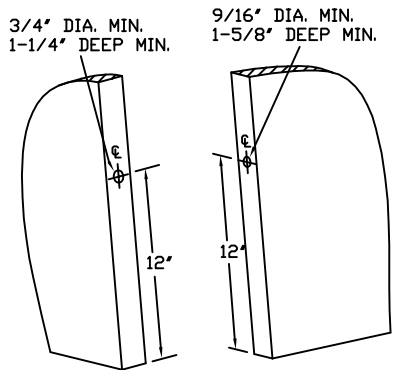
96 TOP STRIKE

NOTES:

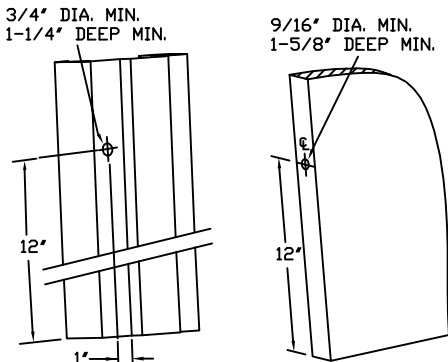
1. DO NOT SCALE DRAWING.
2. DIMENSIONS ARE IN INCHES [mm].
3. LHR DOOR SHOWN.
4. MINIMUM STILE WIDTH: SEE CHART.
5. SEE DOOR REINFORCEMENTS REQUIRED ON T1000 FOR STEEL DOOR
6. IF REQUIRED: THRU-BOLT HOLE SIZE
9/32" INTERIOR DOOR FACE
3/8" EXTERIOR DOOR FACE.
7. IF OUTSIDE TRIM IS REQUIRED, REFER TO OUTSIDE TRIM TEMPLATE.
8. INSTALL POPPER ON FIRE RATED DOORS ONLY (PREFIX F). THE POPPER HOLES MUST BE ALIGNED WITH EACH OTHER.

MINIMUM STILE WIDTH	DEVICE TYPE	BACKSET
3-1/2 (90)	STANDARD	2-1/4 (39.7)
2 (50.8)	NSK	1-1/8 (28.6)

NOTE: FOR ALUMINUM DOOR, SEE TEMPLATE T2104
FOR WOOD DOOR, SEE TEMPLATE T2105

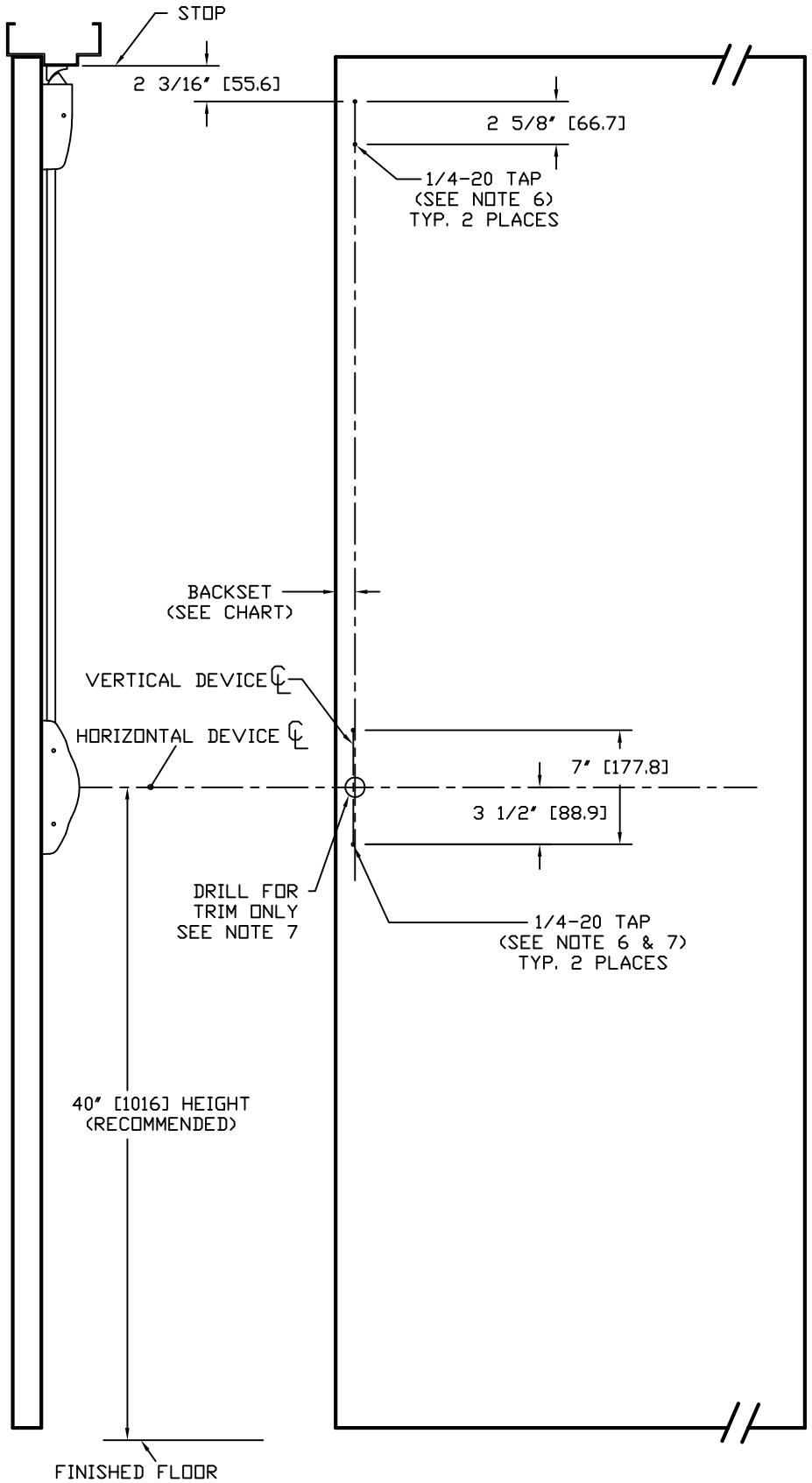


FIRE RATED DOUBLE DOORS APP.
SEE NOTE 8



(FOR 1 3/4" DOORS)

FIRE RATED SINGLE DOOR APP.
SEE NOTE 8



40" [1016] HEIGHT
(RECOMMENDED)

FINISHED FLOOR

HDG. _____ DR. _____

RESPONSIBILITY
Door and Frame Manufacturers are responsible for providing adequate construction or reinforcements for proper installation of hardware shown. All architectural builders hardware must be installed on properly reinforced doors and frames regardless of the type, material or method of construction.

TEMPLATE
METAL DOOR
V51 & VF51 SERIES
TOP ROD ONLY EXIT DEVICE
BP-2 MOUNTING PLATE



DO NOT SCALE DRAWING

DATE 4-16-09

TEMPLATE NUMBER T2103