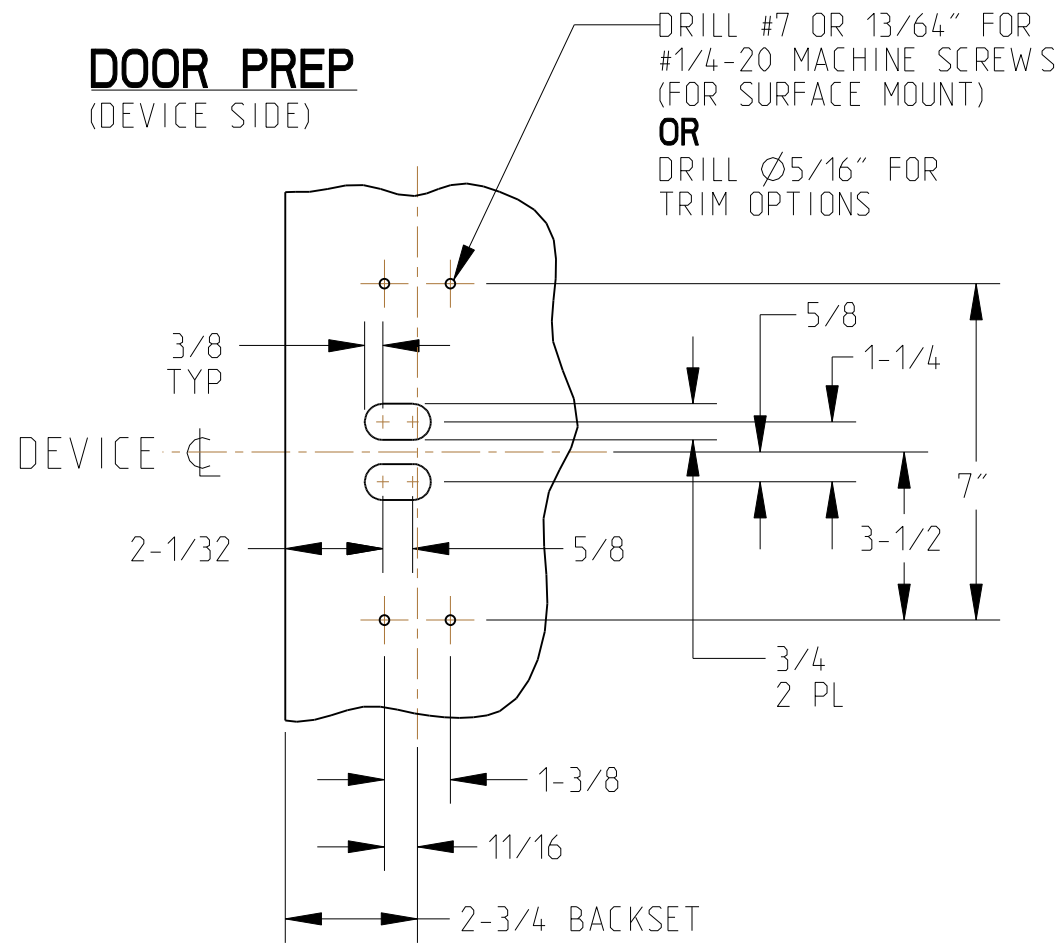
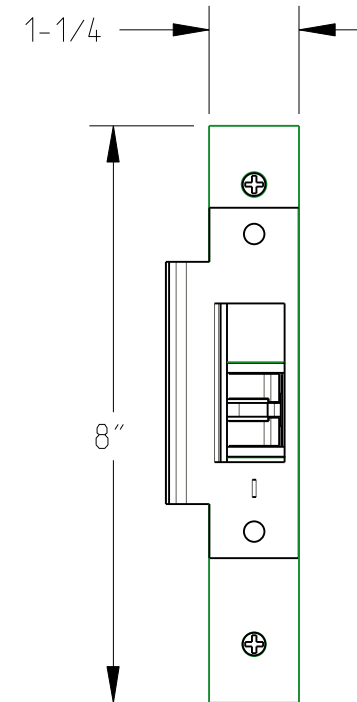
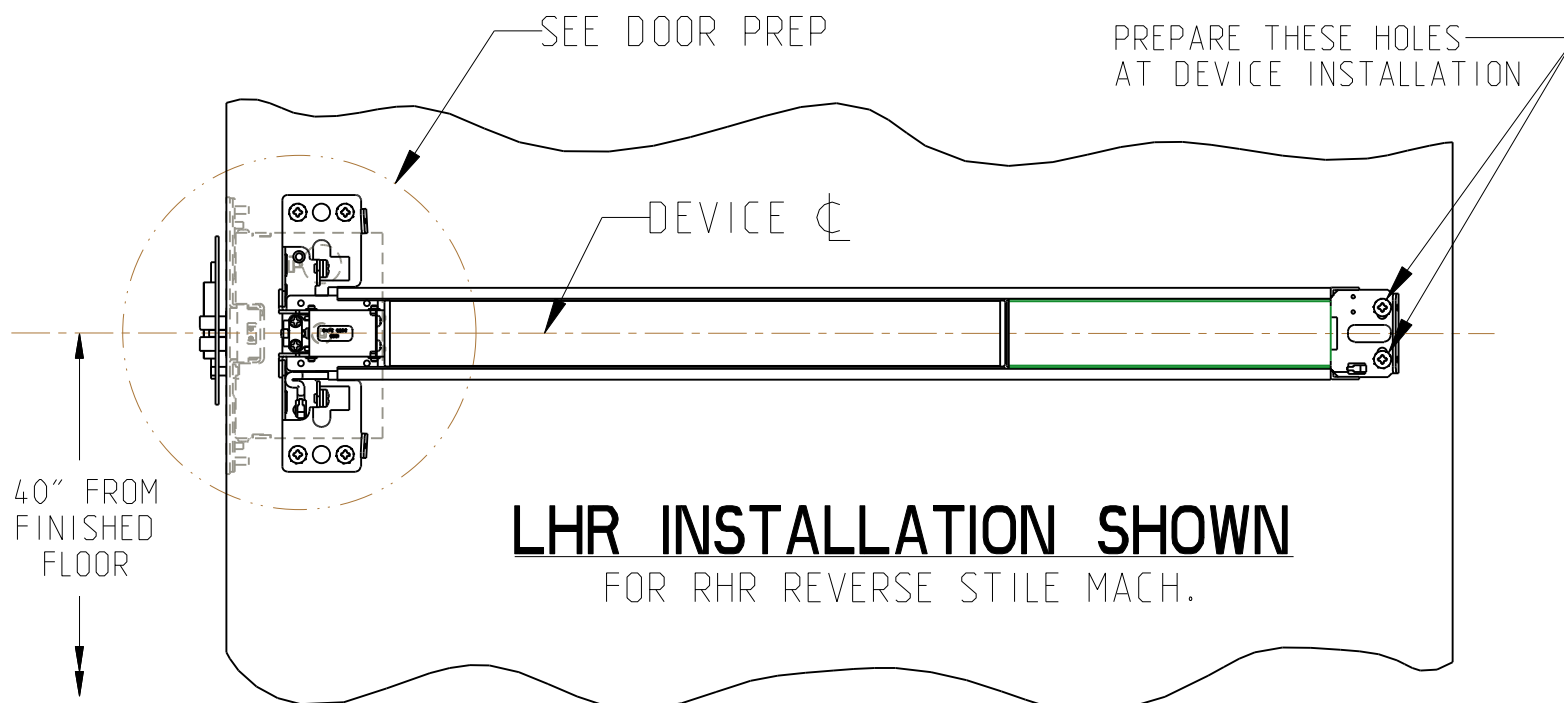
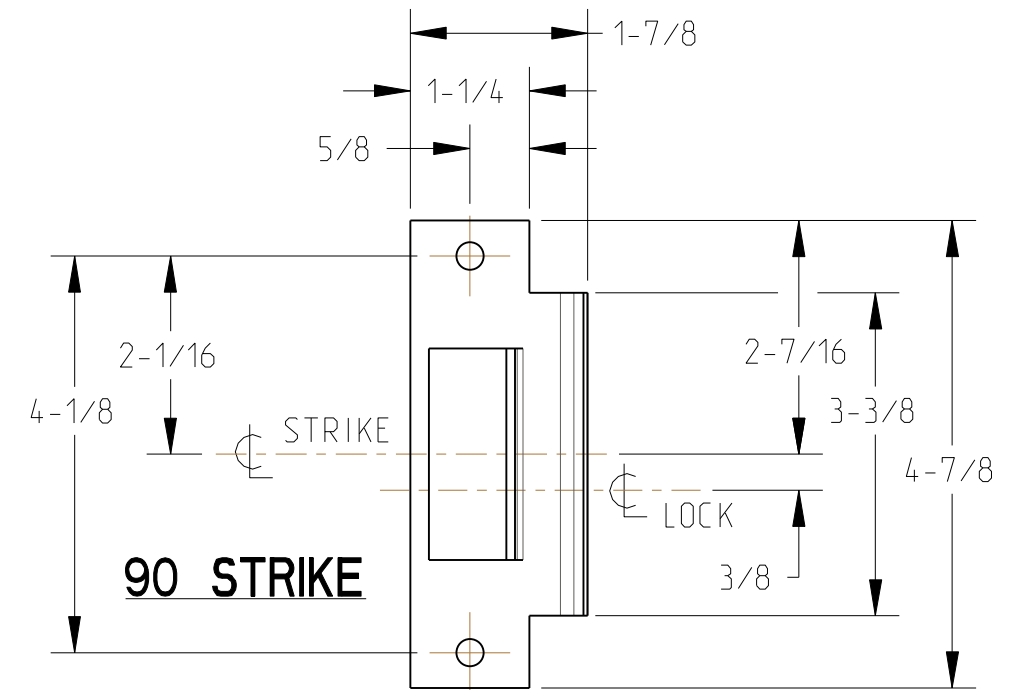
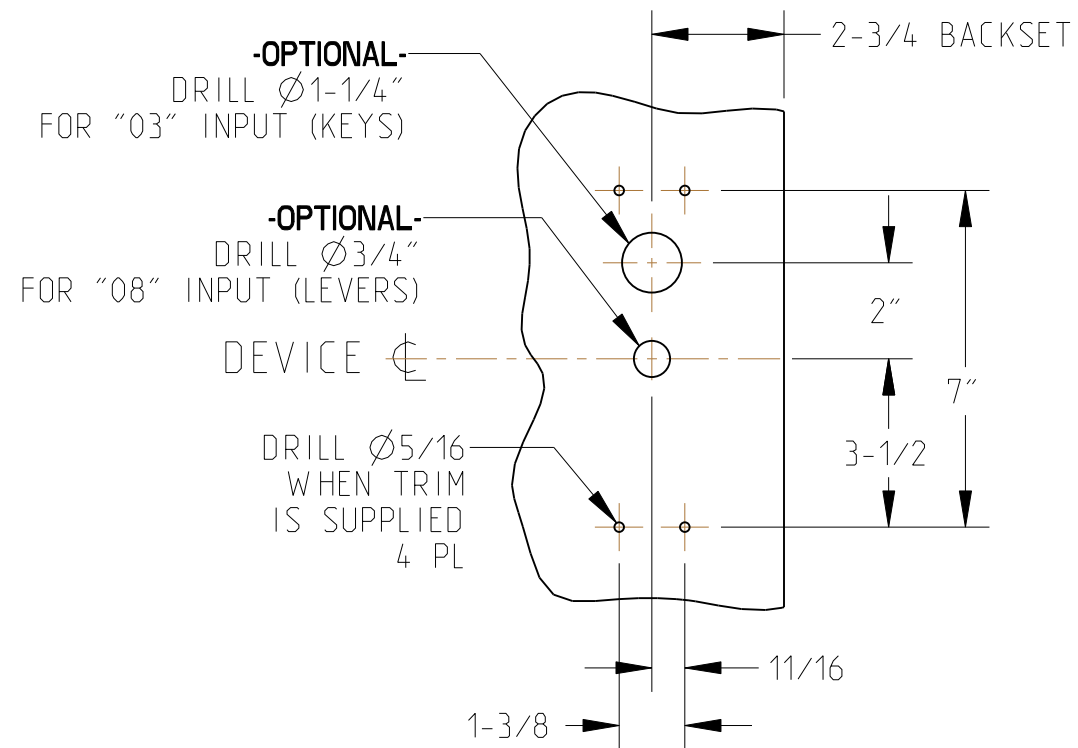


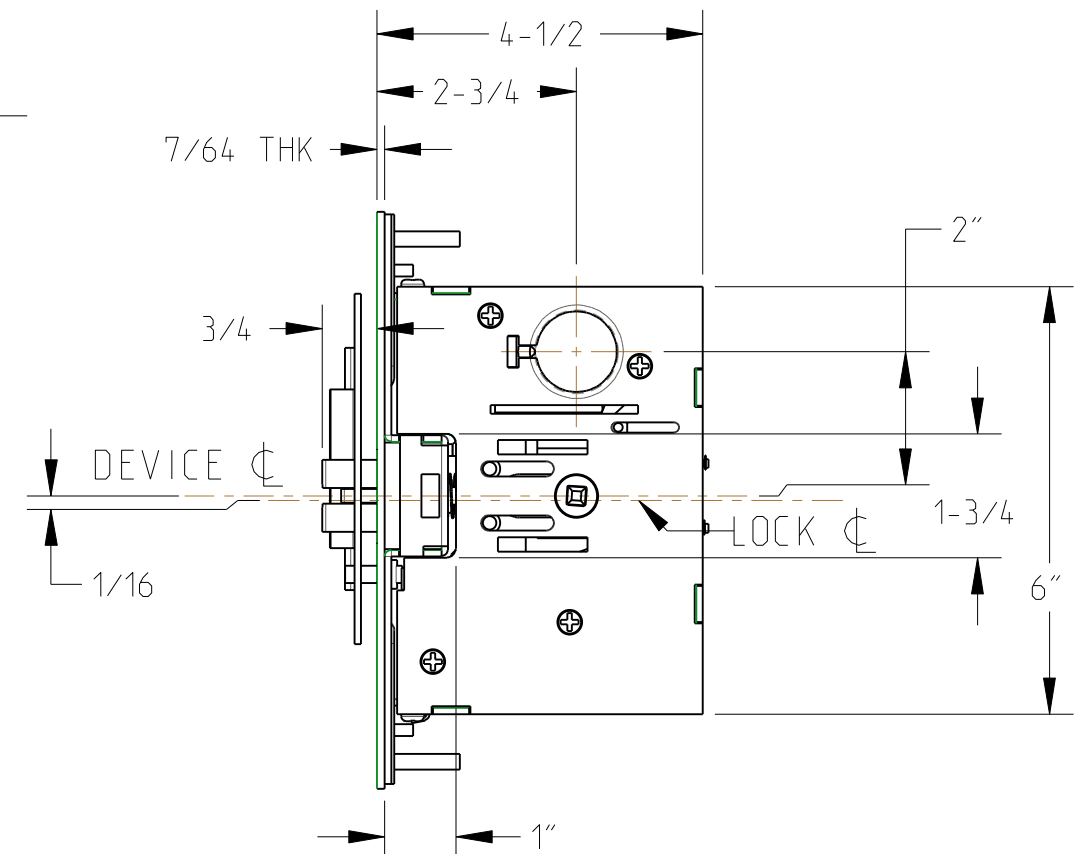
**DOOR PREP**  
(DEVICE SIDE)



**DOOR PREP**  
(TRIM SIDE)



**MORTISE LOCK**



**RESPONSIBILITY**  
Door and Frame Manufacturers are responsible for providing adequate construction or reinforcements for proper installation of hardware shown. All architectural builders hardware must be installed on properly reinforced doors and frames regardless of the type, material, or method of construction.

**DOOR PREPARATION FOR MORTISE LOCK**  
NOTE: FOR METAL DOOR PREP - SEE T2000  
FOR WOOD DOOR PREP - SEE T2001

**DETEX**<sup>®</sup>  
CORPORATION

SCALE: NTS

DATE: 11/3/10

TEMPLATE NO: T2002